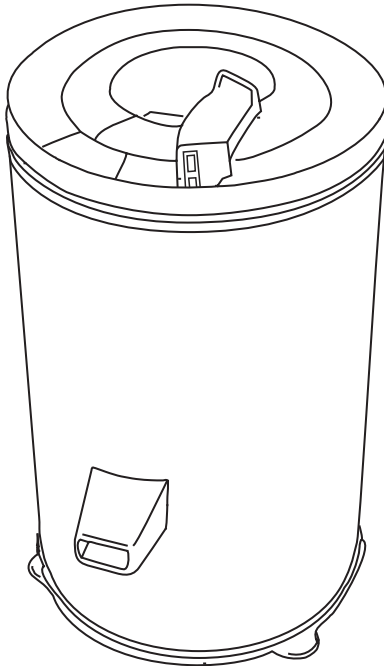


# ZANUSSI

 Electrolux

## INSTRUCTION BOOKLET

SD 2811 W  
Spin Dryer  
Instructions for use



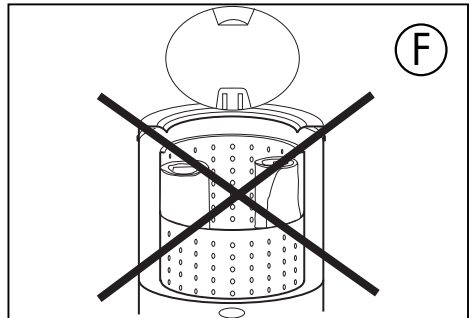
## Important Safety Information

**Please read through the information contained in this instructions booklet carefully. It gives important advice on the safety, assembly, use and maintenance of the Zanussi-Electrolux Spin Dryer. Retain the instructions booklet in a safe place for future reference and, if applicable, pass it on to the subsequent owner of the appliance. The manufacturer will not be liable if the instructions specified below are not observed. Do not put the Zanussi-Electrolux Spin Dryer to improper use, i.e. do not use the appliance other than for the purposes it is meant for. It is intended for household use and for spinning items of laundry only.**

- Before connecting the appliance, check that the details given on the rating plate correspond to the requirements of your electrical installation.
- Do not operate the appliance if:
  - the mains cable is damaged;
  - the appliance shows clear signs of damage.
- Check the appliance for any damage which may have occurred during transport.
- Dispose of the packing in accordance with local regulations and regard to child safety. Risk of suffocation!
- Remove the transport locking pads from inside the drum.
- The spin dryer is intended for use by adults only. Ensure that children or infirm persons do not play with the appliance.
- Modifications to the appliance can endanger your safety and health. It will also invalidate your guarantee. Therefore, repairs to the appliance should be carried out by an authorised engineer only.
- Never operate the appliance in rooms where inflammable materials are stored or where gases have formed.
- Never unplug the appliance by pulling on the cable, but only by removing the plug directly from the socket. Always ensure you have switched off the power supply.
- Ensure that the mains cable is not exposed to either heat or chemical substances, nor that it is pulled across sharp edges or surfaces.
- If the mains cable becomes damaged, have it replaced immediately by an authorised service-engineer.
- Do not touch or use the appliance with wet hands or when barefoot and standing on a wet floor.
- Do not expose the appliance to atmospheric effects, such as sun, rain, etc.
- **NEVER** add water to the drum, e.g. for „rinsing“
- The basic safety regulations must be strictly observed. In case of doubt, have a qualified engineer inspect the electrical installation of your house. Electrical security is only ensured when the appliance has been duly earthed, as described under the safety regulations for electrical connections.
- If the mains socket does not comply with the plug, the socket should be replaced by a suitable one.
- Never spin items of laundry which have been

cleaned, washed, impregnated or sprayed with wax, paint, petrol or inflammable liquids. The vapours can constitute a fire hazard or cause an explosion. Always wash materials containing these substances by hand first and let them dry outside in the fresh air.

- Do not stand on the appliance or load heavy items onto it.
- Do not reach into the drum while it is spinning.
- Do not store the spin dryer directly next to a hot stove or heater.
- In general, we recommend avoiding the use of multiple plug sockets, extension cables and adapters.
- Switch off the power supply and pull out the plug
  - if the appliance malfunctions during operation;
  - before cleaning and maintenance;
  - after use.
- Operate the spin dryer only in an upright position on an even floor and maintain a distance of about 50 cm from the wall or other objects (Fig. B, Page 4).
- During operation, do not lift, carry, hold, move or tip over the appliance.
- Never handle the operating lever and lid with force.
- Do not place rolled-up items of clothing (e.g. jeans, Fig. F) in the spin dryer.



- Lift or carry the appliance by the carrying handles only.
- Before disposal of the spin dryer, cut off the mains cable. Ensure that the appliance is disposed of carefully and due regard to the environment. Always disable the lid catch to prevent children or animals from becoming trapped.
- The symbol on the product or on its packaging indicates that this product may not be treated as household waste. Instead it shall be handed over to the applicable collection point for the recycling of electrical and electronic equipment. By ensuring this product is disposed of correctly, you will help prevent potential negative consequences for the environment and human health, which could otherwise be caused by inappropriate waste handling of this product. For more detailed information about recycling of this product, please contact your local city office, your household waste disposal service or the shop where you purchased the product.

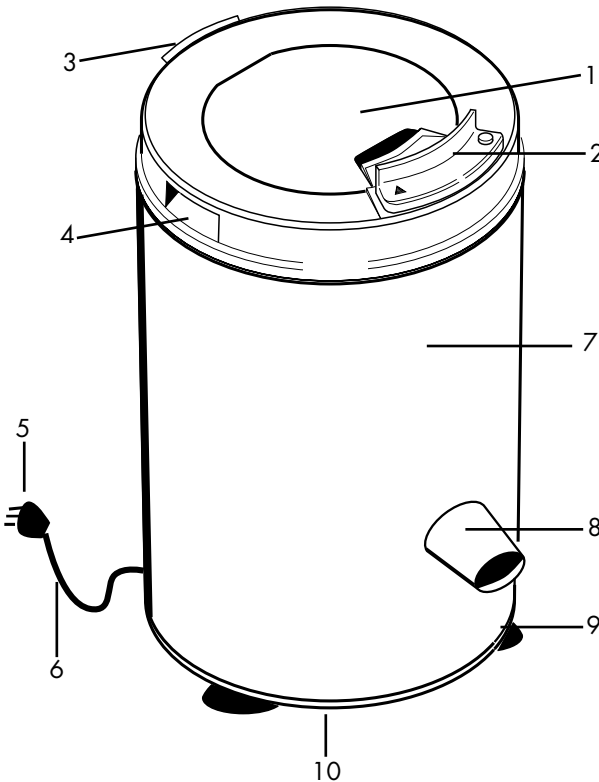
## Contents

## Page

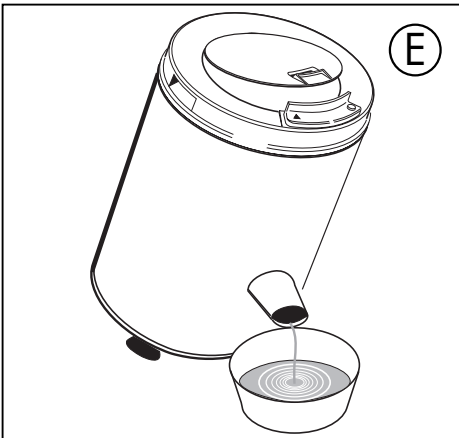
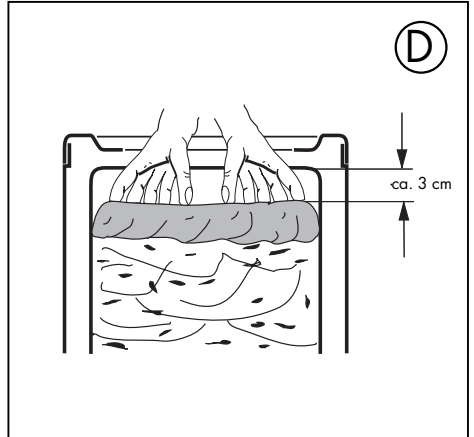
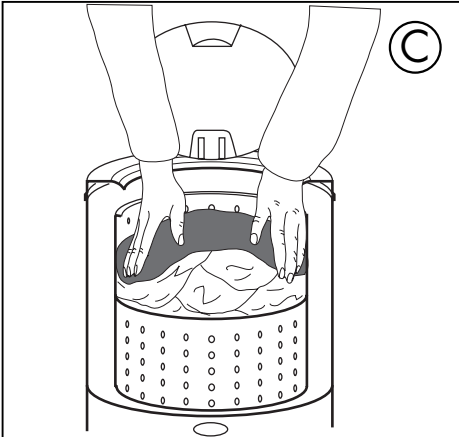
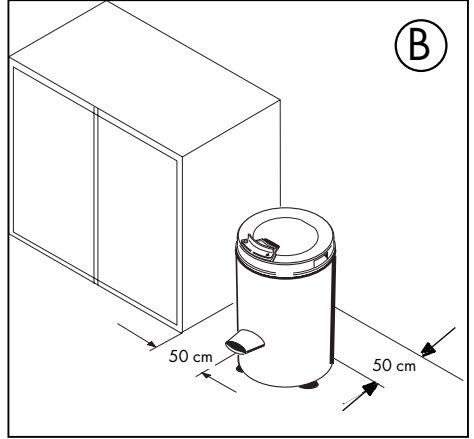
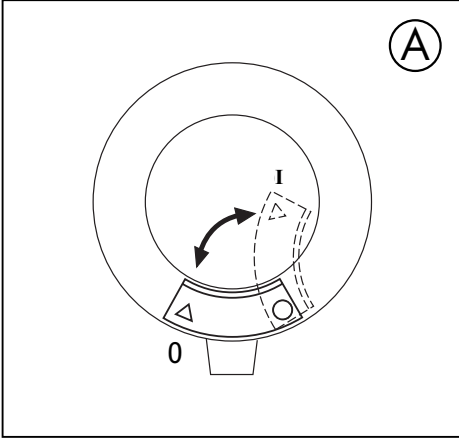
Important Safety Information	2
Contents	3
Description of Parts	3
Illustrations	4
Operating Instructions	5
Maintenance and Care	6
Something not Working	6
Service and Spare Parts	7
Terms and Conditions of Guarantee	8

## Description of Parts

1 = Lid	4= Carrying Handle	7 = Outer Casing
2 = Operating Lever	5= Plug	8 = Outlet Spout
3 = Cable Storage Fixture	6= Mains Cable	9 = Foot
		10 = Rating Plate



# Illustrations



## Operating Instructions

### **Congratulations on your new purchase**

We recommend that you read these instructions carefully in order to quickly become familiar with your new appliance.

A good appliance, which is used properly, will serve you for many years.

### **Unpacking the appliance**

Dispose of packing materials in accordance with local regulations and with due regard to safety. Risk of suffocation!

Check the spin dryer for any transport damages, which must be reported to the retailer or delivery company responsible within 7 days.

### **Preparation for Use**

1. Put the operating lever in the "OFF" (0) position. (A)
2. Open the lid.
3. Remove the transport safeguard from inside the spin drum.
4. We recommend that the spin drum be wiped with a wet cloth using a solution of water and mild washing up liquid. Before using for the first time. (B)
5. Place the spin dryer on a level floor at a distance of about 50 cm away from the wall or other objects. Never balance out irregularities in the floor surface by laying wood, paper or similar materials under the appliance.

### **Loading the machine**

1. Place a sufficiently large container for excess water under the outlet spout. (E)
2. Plug the appliance in to a mains socket (please observe the Points of Safety). (C)
3. Place each article of laundry **singly** in the spin drum. **Distribute** the washing **evenly** in the drum and **press down firmly**, so as to avoid leaving empty spaces (and thus avoiding excessive vibration of the machine during operation).
4. Press the loaded washing down, so that there is a gap of at least 3 cm between the washing and the top edge of the drum. (D)  
Lastly, cover the washing with a cloth, the ends of which should be tucked well down inside the drum, so as to avoid items of washing being catapulted out during operation.
5. Close the lid.

### **Switch on the appliance**

Turn the operating lever to the right as far as it will go to the "ON" (I) position. (A)

The spin dryer is now in operation and water flows out of the outlet spout.

### **Spin Drying Times**

- For normal washing: 3-5 minutes.  
The residual moisture amounts to:  
approx: 65% in machines with a spin speed of 1400 rpm;  
approx: 40% in machines with a spin speed of 2800 rpm;
- For washing which requires no ironing: 15-30 seconds max.

### **Switch off the appliance**

When water ceases to flow out of the outlet spout, or when the spin process is to be terminated, turn the operating lever back to the left to the "OFF" (0) position.

When the drum has come to a standstill, open the lid. A special safety device prevents the lid being opened before the drum has stopped spinning. (E)

### **Never force the lid open**

Remove the laundry from the drum.

Gently tilt the spin dryer forward, so that any remaining water can flow out of the outlet spout.

Switch off the power supply. Pull out the plug.

## Maintenance and Care

- Always switch off the power supply pull out the plug before cleaning the appliance!
- After use, wipe the spindrum dry with a cloth.
- If dirty washing has been spun, it is necessary to rinse the drum out with clear water in order to avoid soiling the next load of washing.
- Clean the exterior of the spin dryer with a damp cloth and wipe it dry.
- Use a solution of water and mild washing up liquid only to clean the appliance.
- Do not use abrasive cleaning agents.
- Never use petrol or other solvent liquids.
- The spin dryer requires no other maintenance.

## If unexpected difficulties arise

- Before contacting your local Service Force Centre, check whether the fault is due to one of the following minor causes.

### The motor does not function:

- Has the fuse blown?
- Is there damage to the mains cable, plug or socket? Turn off the power supply. Pull out the plug before checking!
- Never open the motor yourself!

### Water does not flow out:

- Switch off the power supply. Pull out the plug! Check whether the outlet spout is blocked by a piece of washing.
- Press the spin drum from the inside against the outer casing with your hand and remove the piece of washing.

### The spin dryer does not pick up spin speed:

- Please note that the spin dryer normally overcomes a certain amount of unbalance itself when picking up spin speed. The motor and spin drum are suspended flexibly for that reason.
- However, if the unbalance is too great (brought about by incorrect loading of the spin dryer), the machine cannot pick up spin speed.

### The spin dryer "jumps":

1. Switch off the spin dryer immediately!
2. When the drum has come to a standstill, repack the washing evenly.
3. Reload the spin dryer in accordance with the

<b>Model</b>	<b>SD 2811W</b>
<b>Filling amount (Kg)</b>	3,0
<b>Spin speed (r.p.m.)</b>	2800
<b>Height (cm)</b>	56

## SERVICE AND SPARE PARTS

In the event of your appliance requiring service, or if you wish to purchase spare parts, please contact your local Service Force Centre by telephoning:-

**08705 929929**

Your telephone call will be automatically routed to the Service Force Centre covering your post code area.

For the address of your local Service Force Centre and further information about Service Force, please visit the website at [www.serviceforce.co.uk](http://www.serviceforce.co.uk)

Before calling out an engineer, please ensure you have read the details under the heading "Something Not Working."

When you contact the Service Force Centre you will need to give the following details:

1. Your name, address and post code
2. Your telephone number
3. Clear and concise details of the fault
4. The model and serial number of the appliance (found on the rating plate)
5. The purchase date Please note that a valid purchase receipt or guarantee documentation is required for in-guarantee service calls.

## CUSTOMER CARE DEPARTMENT

For general enquiries concerning your Electrolux appliance or for further information on Electrolux products, please contact our Customer Care Department by letter or telephone at the address below or visit our website at [www.Zanussi-Electrolux.co.uk](http://www.Zanussi-Electrolux.co.uk)

Customer Care Department  
Zanussi-Electrolux  
55-77 High Street  
Slough  
Berkshire  
SL1 1DZ  
08705 950950 (\*)

\* calls to this number may be recorded for training purposes.

# GUARANTEE CONDITIONS

## Standard guarantee conditions

We, Zanussi-Electrolux, undertake that if within 12 months of the date of the purchase this Zanussi-Electrolux appliance or any part thereof is proved to be defective by reason only of faulty workmanship or materials, we will, at our option repair or replace the same FREE OF CHARGE for labour, materials or carriage on condition that:

The appliance has been correctly installed and used only on the electricity supply stated on the rating plate.

The appliance has been used for normal domestic purposes only, and in accordance with the manufacturer's instructions.

The appliance has not been serviced, maintained, repaired, taken apart or tampered with by any person not authorised by us.

All service work under this guarantee must be undertaken by an Zanussi-Electrolux Service Force Centre. Any appliance or defective part replaced shall become the Company's property.

This guarantee is in addition to your statutory and other legal rights.

Home visits are made between 8.30am and 5.30pm Monday to Friday. Visits may be available outside these hours in which case a premium will be charged.

## Exclusions

This guarantee does not cover:

Damage or calls resulting from transportation, improper use or neglect, the replacement of any light bulbs or removable parts of glass or plastic.

Costs incurred for calls to put right an appliance which is improperly installed or calls to appliances outside the European Community (EC) or European Free Trade Area.

Appliances found to be in use within a commercial environment, plus those which are subject to rental agreements.

Products of Electrolux manufacture which are not marketed by Electrolux.

## European Guarantee

If you should move to another country within Europe then your guarantee moves with you to your new home subject to the following qualifications:

The guarantee starts from the date you first purchased your product.

The guarantee is for the same period and to the same extent for labour and parts as exists in the new country of use for this brand or range of products.

This guarantee relates to you and cannot be transferred to another user.

Your new home is within the European Community (EC) or European Free Trade Area.

The product is installed and used in accordance with our instructions and is only used domestically, i.e. in a normal household.

The product is installed taking into account regulations in your new country.

Before you move please contact your nearest Customer Care centre, listed below, to give them details of your new home. They will then ensure that the local Service Organisation is aware of your move and able to look after you and your appliances.

France	Senlis	+33 (0)3 44 62 20 13
Germany	Nürnberg	+49 (0)800 234 7378
Italy	Pordenone	+39 (0)800 117511
Sweden	Stockholm	+46 (0)20 78 77 50
UK	Slough	+44 (0)1753 219898



**This file has been downloaded from:**

[www.UsersManualGuide.com](http://www.UsersManualGuide.com)

User Manual and User Guide for many equipments like mobile phones, photo cameras, mother board, monitors, software, tv, dvd, and others..

Manual users, user manuals, user guide manual, owners manual, instruction manual, manual owner, manual owner's, manual guide, manual operation, operating manual, user's manual, operating instructions, manual operators, manual operator, manual product, documentation manual, user maintenance, brochure, user reference, pdf manual