

SANTO



Integrated Refrigerator

Operating Instructions

Dear customer,

Before placing your new refrigerator into operation please read these operating instructions carefully. They contain important information for safe use, for installation and for care of the appliance.

Please keep these operating instructions for future reference. Pass them on to possible new owners of the appliance.

These operating instructions are for use with several technically comparable models with varying accessories. Please observe the notes which apply to your model.



Notes which are important for your safety or for the correct functioning of the appliance are indicated with a warning triangle and/or the words (**Warning!**, **Caution!**, **Important!**). Please observe the information carefully.



This symbol guides you step by step in the operation of the appliance.



Additional information regarding operation and practical use of the appliance appear after this symbol.



Tips and information concerning economical and environmentally sound use of the appliance are marked with the cloverleaf.

Explanations of the technical terminology used in the operating instructions can be found at the end in the section "Technical Terminology".

The operating instructions contain instructions for the correction of possible malfunctions by the user in the section "Something not working". If you are unable to rectify the fault after reading this chapter, please contact your local AEG Service Force Centre..

If you require assistance or advice on your appliance, please contact our Customer Care Department by letter or telephone:

Customer Care Department
AEG Domestic Appliances Limited
55-77 High Street
Slough
Berkshire SL 1 1DZ

Tel: 08705 350350

Printed on paper manufactured with environmentally sound processes.
he who thinks ecologically acts accordingly ...

Contents

Important Safety Instructions	5
Environmental Information	7
Packaging	7
Old Appliances	7
Before Use	7
Packaging	7
Installation	8
Installation Location	8
The appliance needs ventilation	9
Installation	9
Electrical Connection	10
Description of the appliance	11
View of the appliance	11
Prior to Initial Start-Up	12
Initial use	12
Switching off the appliance	13
Interior Accessories	14
Storage Shelves/Storage Racks	14
Variable door interior	14
Variable Storage Box	15
Food Storage	16
Fridge Compartment	16
Freezer Compartment	16
Preparation of Ice Cubes	17
Defrosting your Appliance	18
Fridge	18
Freezer compartment	18
Hints and Tips	19
Normal Operating Sounds	19
Food Storage	19
Energy Saving Advice	19

Maintenance and Cleaning 20
 Internal Cleaning 20
 External Cleaning 20
Replacing the light bulb 21
Something not Working 22
Regulations, Standards, Guidelines 23
Technical Terminology 24
Service & Spare Parts 25
Guarantee Conditions 26



Important Safety Instructions

These warnings are provided in the interests of your safety. Ensure that you understand them all before installing or using this appliance. Your safety is of paramount importance. If you are unsure about any of the meanings or these warnings contact the Customer Care Department.

Prior to Installation

- Check the refrigerator for transport damage. Under no circumstances should a damaged appliance be installed! In the event of damage, please contact your retailer.

Installation

- This appliance is heavy. Care should be taken when moving it.
- It is dangerous to alter the specifications or attempt to modify this product in any way.
- Ensure that the appliance does not stand on the electrical supply cable. If the supply cable is damaged, it must be replaced by a cable available from your local Service Force Centre.
- Any electrical work required to install this appliance should be carried out by a qualified electrician or competent person.
- Parts which heat up should not be exposed. Whenever possible, the back of the appliance should be close to a wall, but leaving the required distance for ventilation, as stated in the installation instructions.
- The appliance should be left for 2 hours after installation before it is turned on, in order to allow the refrigerant to settle.

Refrigerant

The refrigerant isobutane (R600a) is contained within the refrigerant circuit of the appliance, a natural gas with a high level of environmental compatibility, which is nevertheless flammable.

- During transportation and installation of the appliance, be certain that none of the components of the refrigerant circuit become damaged.
- If the refrigerant circuit should become damaged:
 - avoid open flames and sources of ignition;
 - thoroughly ventilate the room in which the appliance is situated.

Child Safety

- Do not allow children to tamper with the controls or play with the product.
- There is a risk of suffocation! Keep packaging material away from children!

During Use

- This appliance is designed for domestic use only, specifically for the storage of edible foodstuffs only. It is not intended for commercial or industrial use
- Containers with flammable gases or liquids can leak at low temperatures. Do not store any containers with flammable materials such as, spray cans, fire extinguisher refill cartridges etc in the refrigerator.
- Frozen food should not be refrozen once it has thawed out.
- Do not place carbonated or fizzy drinks in the freezer compartment.
- Ice lollies can cause 'frost/freezer burns' if consumed straight from the freezer compartment.
- Do not remove items from the freezer compartment if your hands are damp/wet, as this could cause skin abrasions or frost/freezer burns.
- Bottles and cans must not be placed in the freezer compartment. They can burst when the contents freeze.
- Manufacturers' recommended storage times should be adhered to. Refer to relevant instructions.

Maintenance and Cleaning

- Before cleaning, always switch off the appliance and disconnect from the electrical supply.
- When unplugging always pull the plug from the mains socket, do not pull on the cable.

Servicing

- This product should be serviced by an authorised engineer and only genuine spare parts should be used.
- Under no circumstances should you attempt to repair the appliance yourself. Repairs carried out by inexperienced persons may cause injury or serious malfunctioning.
Contact your local Service Force Centre.

Environmental Information

Packaging

All transit packaging materials are environmentally compatible and can be reused. Wood is un-treated. The plastics can be recycled and are identified as follows:

>PE< for polyethylene, e.g. the outer covering and the bags in the interior.

>PS< for polystyrene foam, e.g. the pads, which are pure hydrocarbon compounds and can be recycled.

The carton parts are made from recycled paper. Please dispose of the packaging with due care for the environment.

Old Appliances


When disposing of your old appliance:

Make the appliance unusable by cutting off the cable and remove any door catches to ensure small children cannot be trapped inside.

Help to keep your country tidy - use an authorised disposal site.

Before Use

Packaging

 Pull off the adhesive tape on the left and right side of the door.



Any remnants of adhesive can be removed with white spirit.



Remove all adhesive tape and packaging from the interior of the appliance.



Remove the protection from the seal on the inside of the door.



Wash the inside of the appliance with lukewarm water with a little bicarbonate of soda added (5 ml to 0.5 litre of water). Do not use soap or detergent as the smell may linger. Dry the appliance thoroughly.

Installation

Installation Location

The appliance should be installed in a well ventilated, dry room.

Energy use is affected by the ambient temperature.

The appliance should therefore

- not be exposed to direct sunlight;
- not be installed next to radiators, cookers or other sources of heat;
- only be installed at a location whose ambient temperature corresponds to the climate classification, for which the appliance is designed.

The climate classification can be found on the rating plate, which is located at the left on the inside of the appliance.

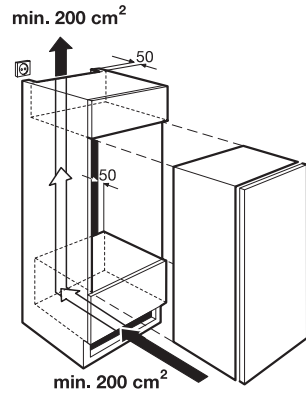
The following table shows which ambient temperature is correct for each climate classification:

Climate classification	for an ambient temperature of
SN	+10 to +32 °C
N	+16 to +32 °C
ST	+18 to +38 °C
T	+18 to +43 °C

The appliance needs ventilation

The integrated door of the furniture cabinet largely seals the installation recess. Integrated-appliances must therefore be provided with ventilation by having an opening in the furniture plinth. The warmed air must be able to be exhausted upwards through the air shaft on the furniture back. The ventilation cross-sections should be at least 200 cm^2

Important! In order not to impair the function of the appliance, never cover or obstruct the ventilation openings.



Installation

See installation instructions supplied.

After installing the appliance, ensure the door seals correctly when closed. If the door does not seal tightly, this may lead to heavy frosting and a higher energy consumption.

Electrical Connection

Any electrical work required to install this appliance should be carried out by a qualified electrician or competent person.



WARNING – THIS APPLIANCE MUST BE EARTHED

The manufacturer declines any liability should these safety measures not be observed.

Before switching on, make sure the electricity supply voltage is the same as that indicated on the appliance rating plate. The rating plate is inside, on the left.

The appliance is supplied with a 13 amp plug fitted. In the event of having to change the fuse in the plug supplied, a 13 amp ASTA approved (BS 1362) fuse must be used.

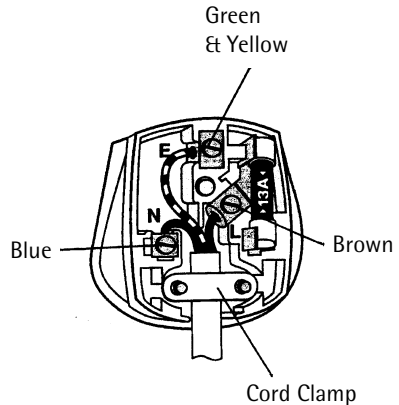
Important

The wires in the mains lead are coloured in accordance with the following code:

Green and Yellow	Earth
Blue	Neutral
Brown	Live

As the colours of the wires in the mains lead of this appliance may not correspond with the coloured markings indentifying the terminals in your plug, proceed as follows:

1. The wire coloured green and yellow must be connected to the terminal marked with the letter „E” or by the earth symbol \oplus or coloured green and yellow.
2. The wire coloured blue must be connected to the terminal „N” or coloured black.
3. The wire coloured brown must be connected to the terminal marked „L” or coloured red.
4. Upon completion there must be not cut, or stray strands of wire present and the cord clamp must be secure over the outer sheath.

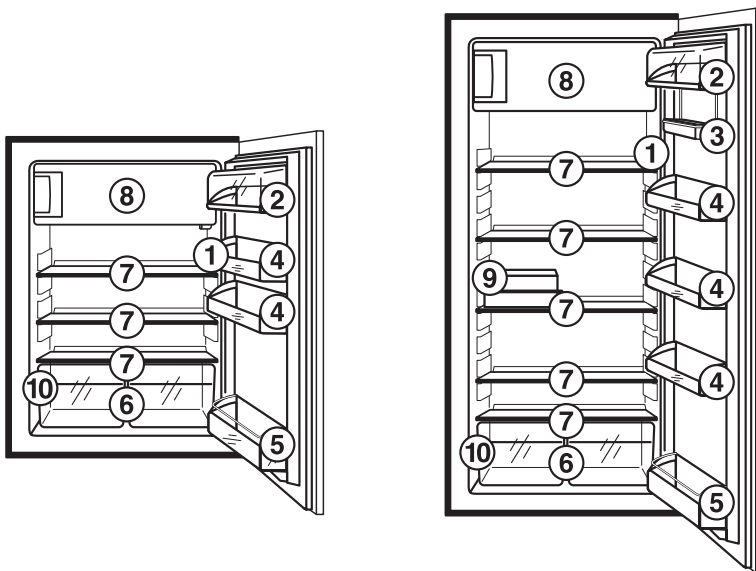


Warning! A cut-off plug inserted into a 13 amp socket is a serious safety (shock) hazard. Ensure that the cut-off plug is disposed of safely.

Description of the appliance

View of the appliance

(various models)



- ① Temperature regulator and light switch
- ② Butter/cheese compartment with flap
- ③ Variable storage compartment (not included with all models, design differs depending on the model)
- ④ Door storage compartment
- ⑤ Bottle shelf
- ⑥ Fruit and Vegetable drawers
- ⑦ Storage shelves
- ⑧ Freezer compartment with ice cube tray
- ⑨ General purpose box (not included with all models)
- ⑩ Rating plate

Prior to Initial Start-Up

- ✎ Please clean the appliance interior and all accessories prior to initial start-up (see section: "Maintenance and Cleaning").

Initial use

- ✎ Insert plug into mains socket.

The temperature regulator is on the right side in the refrigerator compartment. It is also the ON/OFF-switch.



Position "0" means:
Off

Position "1" means:
Highest interior temperature (warmest setting)

Position "6" means:
Lowest interior temperature (coldest setting)

Recommended settings:

For normal use: position "2" - "3";

- ✎ Turn the temperature regulator to the desired setting. The inside light illuminates. The compressor starts and then runs automatically.
- i** Goods to be refrigerated can be loaded immediately after switching on, because the storage temperature in the refrigerator is quickly reached.
Important! Wait until the freezer compartment has reached a temperature of $-18\text{ }^{\circ}\text{C}$, before storing frozen food.

Note: From a food science point of view, $+5\text{ }^{\circ}\text{C}$ for the refrigerator compartment and $-18\text{ }^{\circ}\text{C}$ for the freezer compartment should be considered cold enough as a storage temperature.

The following effects are of significance in respect of the interior temperature:

- Ambient temperature;
- Quantity and temperature of the food stored;
- Frequency with which the door is opened and how long it is left open.

Examples:

Ambient temperature	Temperature controller position
Approx. 10 °C	Range up to 1
Approx. 16 °C	Range about 2
Approx. 25 °C	Range about 2
Approx. 32 °C	2 to 3
Approx. 38 °C	1 to 2


Important!

High ambient temperatures (e.g. on hot summer days) and a cold setting on the temperature regulator (position "5" to "6") can cause the compressor to run continuously.


Reason: when the ambient temperature is high, the compressor must run continuously to maintain the low temperature in the appliance. The fridge will not be able to defrost since automatic defrosting of the fridge is only possible when the compressor is not running (see also "Defrosting" section). The result is the build up of a thick layer of frost on the fridge rear wall.


If this happens, turn the temperature regulator back to a warmer setting (position "3" to "4"). At this setting the compressor will be switched on and off as usual and automatic defrosting will recommence.


Switching off the appliance


 To switch off, turn the temperature regulator to position "0". The inside light goes out.

If the appliance is to be removed from service for a lengthy period:

 Turn the temperature regulator to position "0". The inside light goes out.

 Unplug the appliance, or isolate the power supply.

 Clean thoroughly (see section: "Maintenance and Cleaning").

 Leave the door open to avoid the build up of odours.

Interior Accessories

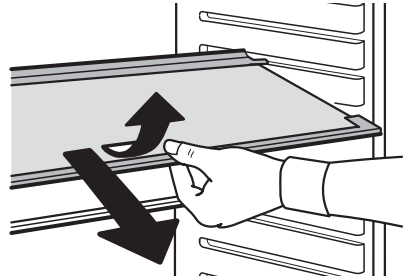
Storage Shelves/Storage Racks

Depending on the model, your appliance is equipped with either glass storage shelves or storage racks.

The glass shelf above the fruit and vegetable compartment must always remain in this position so that fruit and vegetables stay fresh longer.

The height of the storage shelves can be adjusted:

- ☞ To do this pull the storage shelf forward until it can be swivelled upwards or downwards and removed.
- ☞ Please do the same in reverse to insert the shelf at a different height.



Storing tall items:

- ☞ Slide the half size glass storage shelf in the upper or middle level to the rear. By this means you will gain space to place tall items on the storage shelf below.



Variable door interior



Depending on your requirements, the storage compartments on the door can be removed and repositioned in a different place.

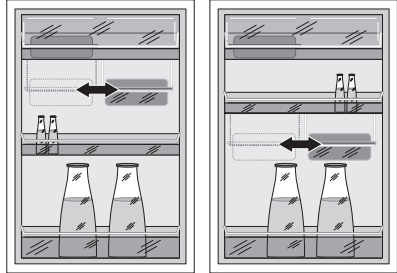
Variable Storage Box

(not on all models, design differs depending on the model)



Some models are equipped with a variable storage box which is fitted under a door shelf compartment and can be slid sideways.

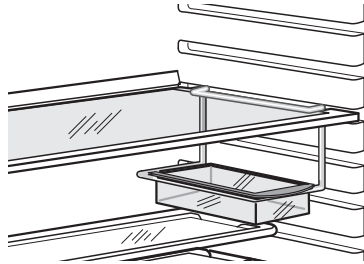
The box can be inserted under every door shelf compartment.

-  To change, lift the shelf compartment with the box upwards and out of the holders in the door and remove the retaining bracket out of the guide under the shelf compartment.
-  Please do the same in reverse to insert the shelf at a different height.



The variable box can be hung from a storage shelf in the refrigerator compartment:

-  Pull the storage shelf forward until it can be tipped up or down and removed.
-  Hang the retaining bracket on the taper on the storage shelf and slide the storage shelf back into the guides.



Food Storage

Fridge Compartment

The correct temperature for safe storage of fresh food inside is 0°C to 5°C (32°F to 41°F).

The warmest parts of the fridge compartment are at the top storage rack, the vegetable basket and the storage compartments in the door. Food should always be covered or packaged.


- The following are suitable for packaging:
 - Polyethylene airtight bags and wraps;
 - Plastic containers with lids
 - Special plastic covers;
 - aluminium foil.

Freezer Compartment


The freezer compartment is for freezing and storing food.

Important!

- The temperature in the freezer compartment must be –18 °C or colder before freezing food or storing food already frozen.
- Allow warm food to cool down before freezing.
- Thawed foods which have not been processed further (cooked into meals) may not under any circumstances be frozen a second time.

 All foods must be packed air tight prior to freezing, so that they do not dry out or lose their flavour.

Caution! Do not touch frozen food with wet hands. Your hands could stick to the food.

 Lay the packaged food on the floor of the freezer compartment. Unfrozen food must not touch items already frozen, otherwise the frozen food could begin to defrost.

- The following are suited for the packaging of frozen goods:
 - freezer bags and polyethylene wraps;
 - special cans for frozen goods;
 - extra-thick aluminium foil.
- The following are suitable for sealing bags and wrap:
plastic clips, rubber bands or tape.

- Smooth the air out of the bag before sealing; air makes it easier for the frozen food to dry out.
- Make flat packages, because these freeze more quickly.
- Do not fill containers for frozen goods to the brim with liquid or paste-like goods, because liquids expand during freezing.

Preparation of Ice Cubes

- ☞ Fill the ice cube tray 3/4 full with cold water, place it in the freezer compartment and leave to freeze.
- ☞ To loosen the frozen cubes, either bend the ice cube tray or hold it under running water for a few seconds.

Important! Never try to free an ice tray that is frozen to the freezer compartment using pointed or sharp edged objects. Use a spoon handle or similar.

Defrosting your Appliance

Fridge

The fridge defrosts automatically.

The rear wall of the fridge covers with frost when the compressor is running, and defrosts when the compressor is off.

The defrost water is collected in the drain channel on the rear of the fridge, fed through the drain hole into the collection compartment in the base and then evaporated.

The drain hole must be cleaned regularly (see the section "Maintenance and Cleaning").

Freezer compartment

During use and when the freezer compartment door is opened, moisture is deposited in the freezer compartment as frost. Under no circumstances use hard or pointed objects to remove frost.

The freezer compartment should be defrosted regularly (approximately every two month) or when a layer of frost accumulates (approx. 4 mm).



Warning!

- Do not use electrical heating appliances or any other mechanical or artificial devices to speed up the defrosting process.
- Do not use defrosting sprays, they can be hazardous to your health and/or contain substances that damage plastics.

Caution! Do not touch frozen food with wet hands. Your hands could freeze to the food.



Remove frozen food, wrap it in several layers of newspaper and store it, covered, in a cool place.



Switch off the appliance and unplug it, or isolate the power supply.



Leave the refrigerator door open.



Defrosting can be speeded up by putting bowls of hot (not boiling) water in the compartment.



The interior of the frozen food compartment can be wiped out using a solution of bicarbonate of soda and water and then dried as described under "Internal Cleaning"



Ensure the control dial is in its normal position. SWITCH ON at the electricity supply.



Replace all fitments and food. Close door.

- If the temperature of frozen food is allowed to rise during defrosting, its storage life may be shortened.

Hints and Tips

Normal Operating Sounds

- You may hear faint gurgling or bubbling sounds when the refrigerant is pumped through the coils or tubing at the rear, to the cooling plate/evaporator.
- When the compressor is on, the refrigerant is being pumped round and you will hear a whirring sound or pulsating noise from the compressor.
- A thermostat controls the compressor and you will hear a faint click when the thermostat cuts in and out.

Food Storage

To obtain the best performance from your refrigerator:

- Do not store warm food or evaporating liquids.
- Do not store food uncovered.
- Keep the time between buying chilled food and placing it in your refrigerator as short as possible.
- Do not push food together too much, try to allow air to circulate around each item.




Energy Saving Advice

- Do not install the appliance close to sources of heat, such as a boiler, or radiator.
- Locate the appliance in a cool well ventilated room and make sure that the air openings of the appliance are not obstructed.
- Always leave warm food to cool down to room temperature before placing in the fridge.
- Try to avoid keeping the door open for long periods or opening the door too frequently as warm air will enter the cabinet and cause the compressor to switch on unnecessarily often.
- Ensure there are no obstructions preventing the door from closing properly.

Maintenance and Cleaning

Before any maintenance or cleaning work is carried out **DISCONNECT** the appliance from the **ELECTRICITY** supply.


Internal Cleaning


 Clean the inside and accessories with warm water and bicarbonate of soda (5 ml to 0.5 litre of water). Rinse and dry thoroughly.



Warning!

- Do not use detergents, abrasive powders, highly perfumed cleaning products, wax polishes or cleaning products containing bleach or alcohol.

 Clean the drain hole of the water trough at regular intervals and ensure that the drain hole is clear at all times. If blocked, carefully clear using the green strip inserted into the drain outlet to remove the blockage.

 Regularly check the door seals and wipe clean to ensure they are clean and free from debris.

External Cleaning

 Wash the outer cabinet with warm soapy water.



Warning!

- Do not use abrasive products
- There are sharp edges on the underside of the product so care should be taken when cleaning.

Replacing the light bulb



Warning! Ensure the appliance is disconnected from the mains supply.
Light bulb specifications: 220–240 V, max. 15 W, socket: E 14



To switch the appliance off turn the temperature regulator to position "0" .



Unplug the mains plug.



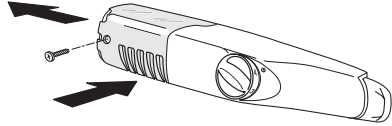
To change the light bulb, remove the screw and the light bulb cover as shown.



Change the defective light bulb.



Refit the light bulb cover and the screw.



Something not Working

Before contacting your local Service Force Centre, check the following points.

Sympton	Solution
No power to the appliance.	Check there is power at the socket
	Check there is not a power cut by checking the household lights.
	Check the fuse has not blown.
The temperature in the refrigerator is too high.	Check the ambient temperature is within the appliances operating limits
	Check the thermostat is turned to the correct setting relative to ambient conditions.
The compressor runs continuously	Adjust the thermostat to give correct temperature control, see page 11
	Check that the door is closed.
	Large quantities of food have recently been placed in the cabinet and/or door is frequently opened.
	Check that air ventilation is not obstructed.
The light does not come on.	Ensure the bulb is correctly fitted.
	Replace the bulb it has blown.
	Check the door light switch is not jammed.
Excessive build up of frost.	If the door seal is not airtight (probably after changing over the door hinges) apply warm air to the non sealing area using a hair dryer set to a gentle heat. (do not use a fan heater for this purpose). This will make the rubber more supple and allow it to revert to its original shape.
Noise	Refer to Normal Operating Sounds

Sympton	Solution
The compressor does not start immediately after changing the temperature setting.	This is normal, the compressor starts after a period of time.
Water on the floor	Water drain hole is blocked - see "Maintenance and Cleaning".

If after the above checks there is still a fault, call your local Service Force Centre.

In-guarantee customers should ensure that the above checks have been made as the engineer will make a charge if the fault is not a mechanical or electrical breakdown.

Please note that proof of purchase is required for in-guarantee service calls.

Regulations, Standards, Guidelines

This appliance was designed for household use and was manufactured in accordance with the appropriate standards. The necessary measures in accordance with appliance safety legislation regulations (GSG), accident prevention regulations for refrigeration appliances (VBG 20) and the regulations of the German Society of Electrical Engineers (VDE) were observed in the manufacture of this appliance. The refrigerant circuit has been checked for leaks.

- CE** This appliance is in accordance with the following EU guidelines:
- 73/23/EEG dated 19 February 1973 - low voltage guidelines.
 - 89/336/EEG dated 3 May 1989 (including guideline change notice 92/31/EEG) - EMV guideline
 - 94/2/EC dated 21. 01. 1994 - Directive on Energy Labelling
 - 96/57 EC dated 3. 9. 1996 - Energy Efficiency Requirements of Household Electric Refrigerators, Freezers and Combinations thereof

Technical Terminology

- **Refrigerant**

Liquids that can be used to generate a cooling effect are known as refrigerants. They have a relatively low boiling-point, indeed so low, that the warmth from the food stored in the fridge or freezer can cause the refrigerant to boil and vaporise.

- **Refrigerant Circuit**

Closed circulation system that contains the refrigerant. The refrigerant circuit comprises primarily of an evaporator, a compressor, a condenser and pipe work.

- **Evaporator**

The refrigerant is evaporated in the evaporator. Similar to all other liquids, refrigerant requires heat to evaporate. This heat is removed from the interior of the appliance, as a result the interior is cooled. The evaporator is therefore located inside the appliance or placed in foam immediately behind the inner wall and thus not visible.

- **Compressor**

The compressor looks like a small drum. It is driven by a built-in electric motor and is mounted on the base of the appliance at the rear. The task of the compressor is to draw in vaporised refrigerant from the evaporator, to compress it, and to pass it on to the condenser.

- **Condenser**

The condenser normally has the form of a grid. The refrigerant compressed in the compressor is liquefied in the condenser. During this process, heat is released to the surrounding air at the surface of the condenser. The condenser is mounted on the base of the appliance.

Service & Spare Parts

If after carrying out the necessary checks there is still a fault with your appliance please contact your local AEG Service Force Centre.

In guarantee customers should ensure that the suggested checks have been made as the engineer will make a charge if the fault is not a mechanical or electrical breakdown.

Please note that proof of purchase is required for in-guarantee service calls.

Service & Spare Parts

If you require a service engineer or wish to purchase spare parts, contact your local AEG Service Force Centre, by telephoning

08705 929 929

Help us to help you

Please determine your type of enquiry before telephoning. When you contact us we need to know.

1. Your name, address and post code.
2. Your telephone number.
3. Clear and concise details of the fault.
 - What is the fault?
 - When does the fault occur?
4. The model, production number and product identification number.
5. Date of purchase.

This information can be found on the rating plate, so you have these numbers to hand we recommend you write them below.

Model

PNC no.

S no.

Customer care

For general enquiries regarding your AEG appliance, or for further information on AEG products please contact our Customer Care Department

AEG Domestic Appliances Limited
55-77 High Street
Slough
Berkshire SL 1 1DZ
Tel: 08705 350350

Guarantee Conditions

AEG offer the following guarantee to the first purchaser of this appliance.

1. The guarantee is valid for 12 months commencing when the appliance is handed over to the first retail purchaser, which must be verified by purchase invoice or similar documentation. The guarantee does not cover commercial use.
2. The guarantee covers all parts or components which fail due to faulty workmanship or faulty materials. The guarantee does not cover appliances where defects or poor performance are due to misuse, accidental damage, neglect, faulty installation, unauthorised modification or attempted repair, commercial use or failure to observe requirements and recommendations set out in the instruction book.

This guarantee does not cover such parts as light bulbs, removable glassware, dust bags or filters.

3. Should guarantee repairs be necessary the purchaser must inform the nearest customer service office (manufacturer's service or authorised agent). AEG reserves the right to stipulate the place of the repair (i. e. the customer's home, place of installation or AEG workshop).
4. The guarantee or free replacement includes both labour and materials.
5. Repairs carried out under guarantee do not extend the guarantee period for the appliance. Parts removed during guarantee repairs become the property of AEG.
6. The purchaser's statutory rights are not affected by this guarantee.

European Guarantee

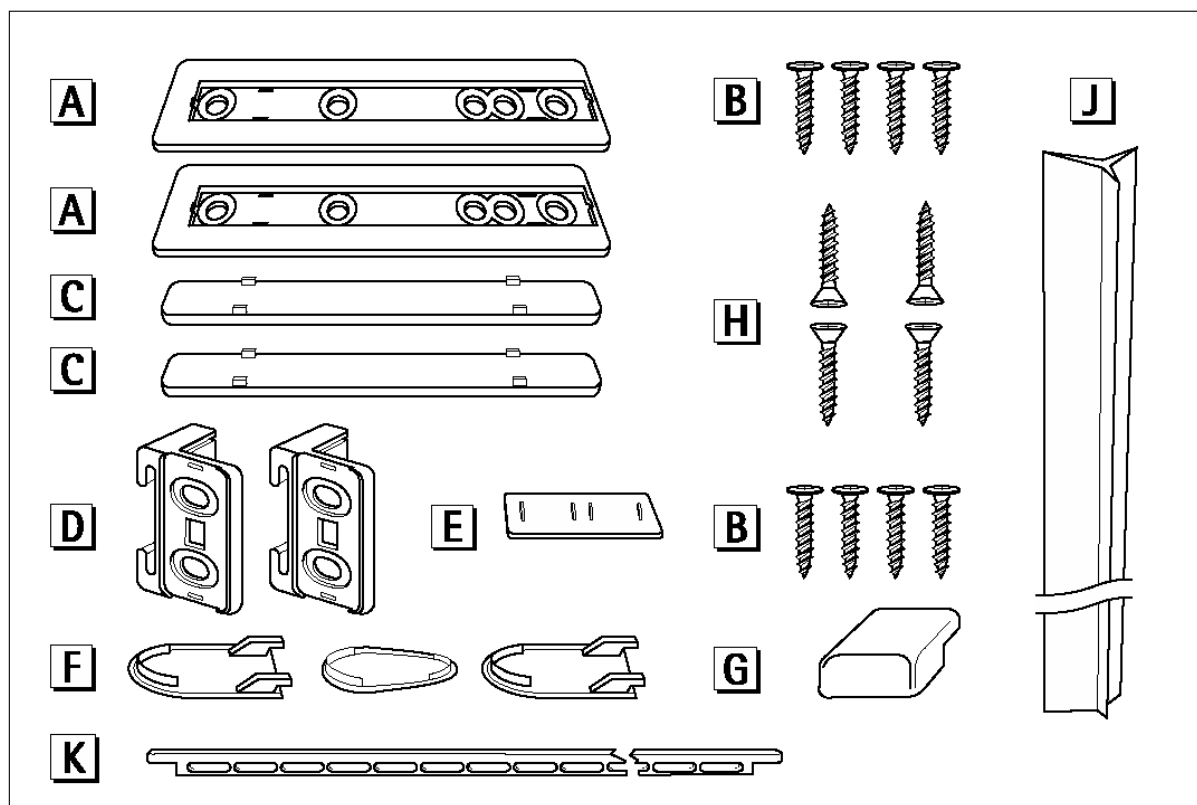
If you should move to another country within Europe then your guarantee moves with you to your new home subject to the following qualifications:

- The guarantee starts from the date you first purchased your product.
- The guarantee is for the same period and to the same extent for labour and parts as exist in the new country of use for this brand or range of products.
- This guarantee relates to you and cannot be transferred to another user.
- Your new home is within the European Community (EC) or European Free Trade Area.
- The product is installed and used in accordance with our instructions and is only used domestically, i. e. a normal household.
- The product is installed taking into account regulations in your new country.

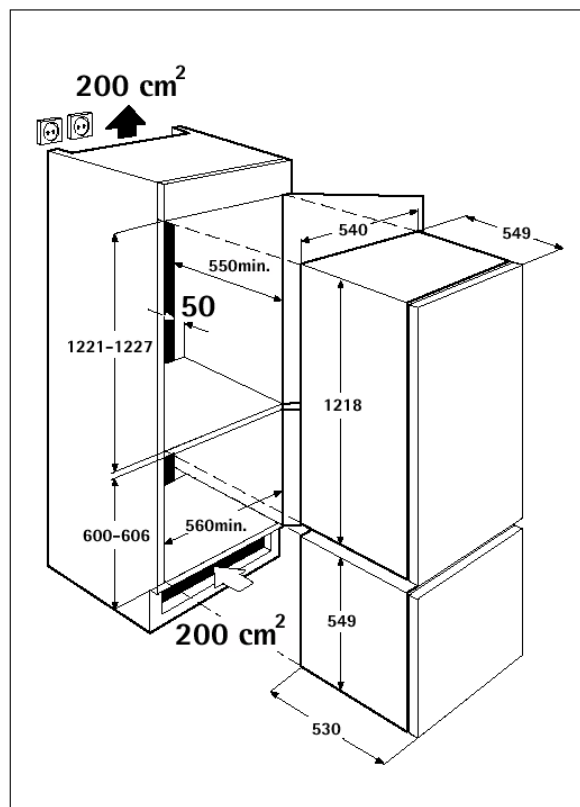
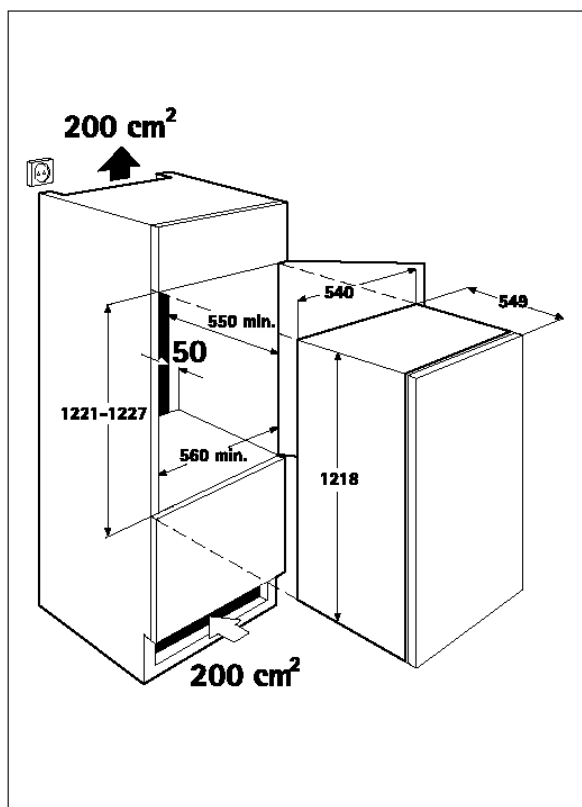
Before you move please contact your nearest Customer Care Centre, listed below, to give them details of your new home. They will then ensure that the local Service Organisation is aware of your move and able to look after you and your appliances.

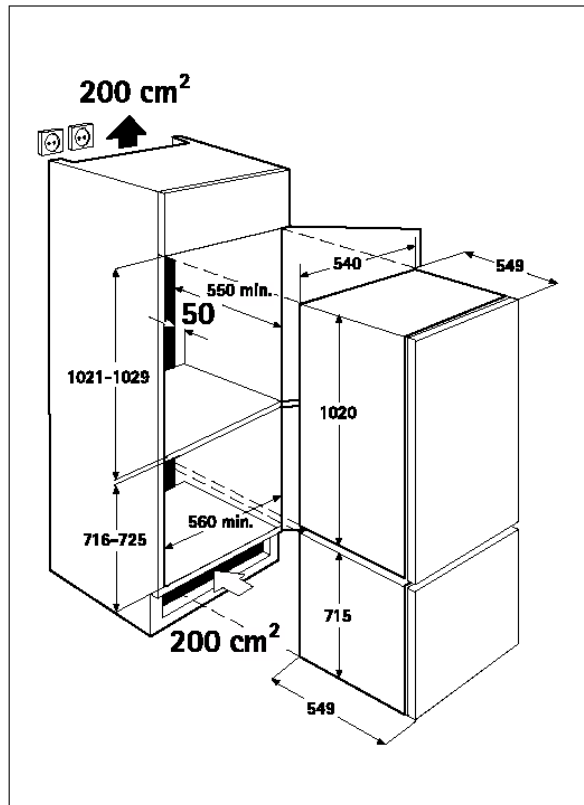
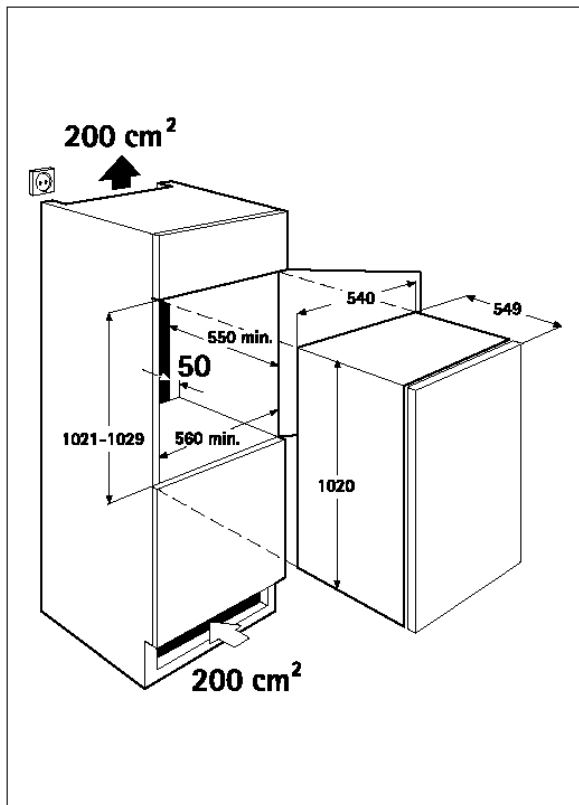
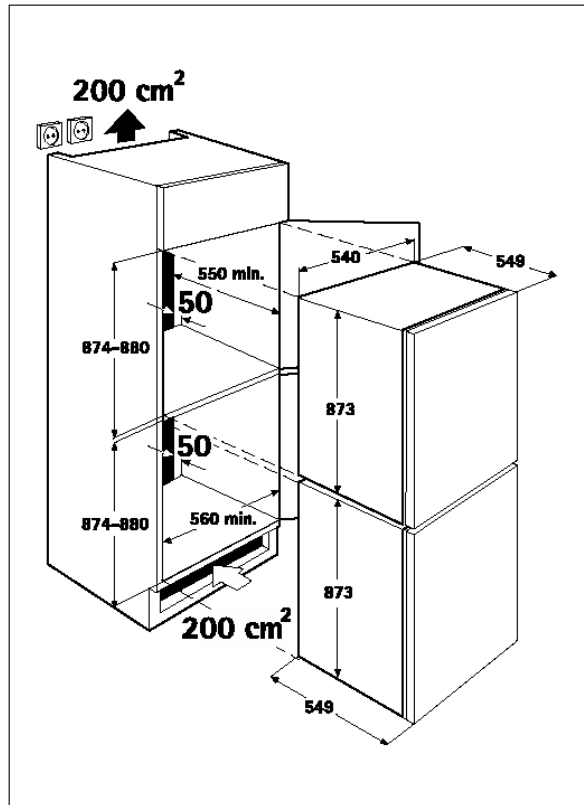
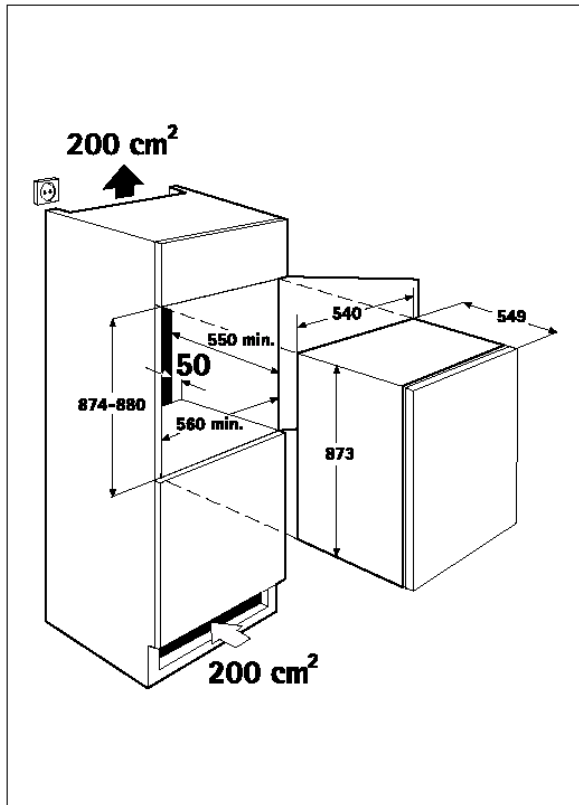
France	Senlis	+33 (0) 344 62 29 29
Germany	Nürnberg	+49 (0) 911 323 2600
Italy	Pordenone	+39 (0) 1678 47053
Sweden	Stockholm	+46 (0) 8 738 7910
UK	Slough	+44 (0) 1753 219 899

Installation parts supplied

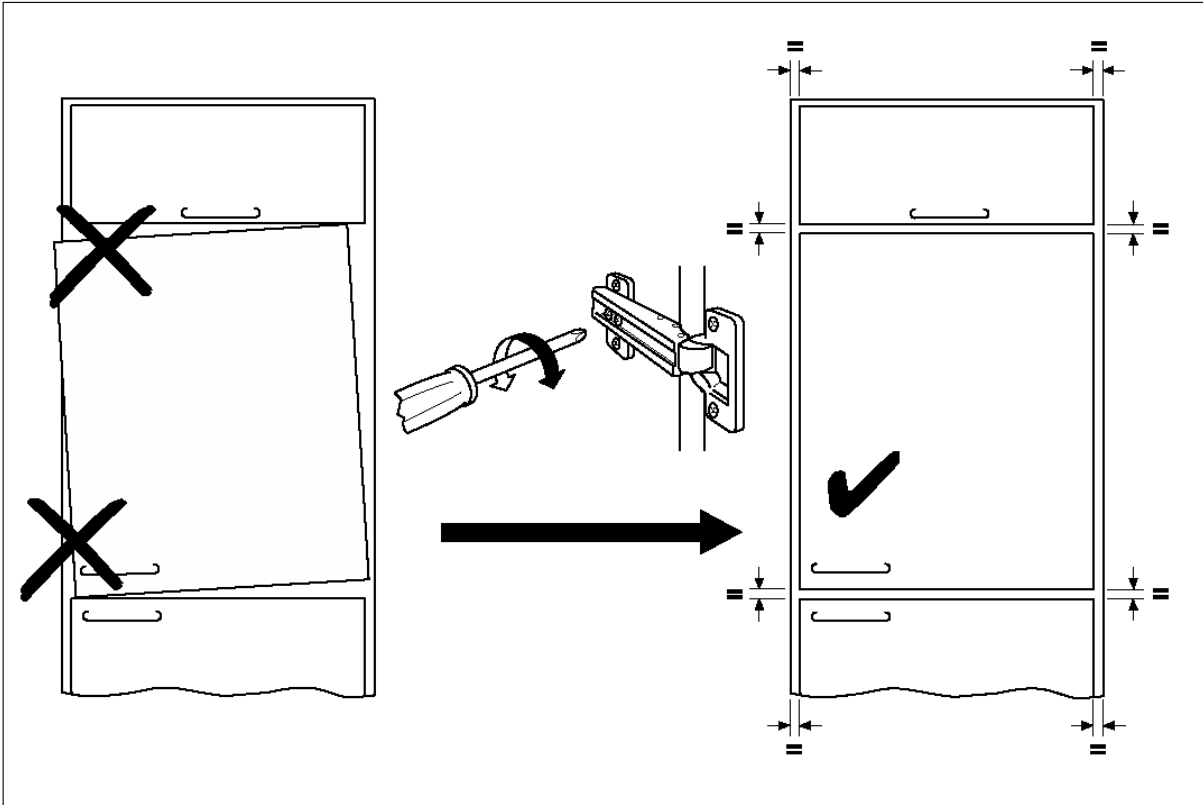
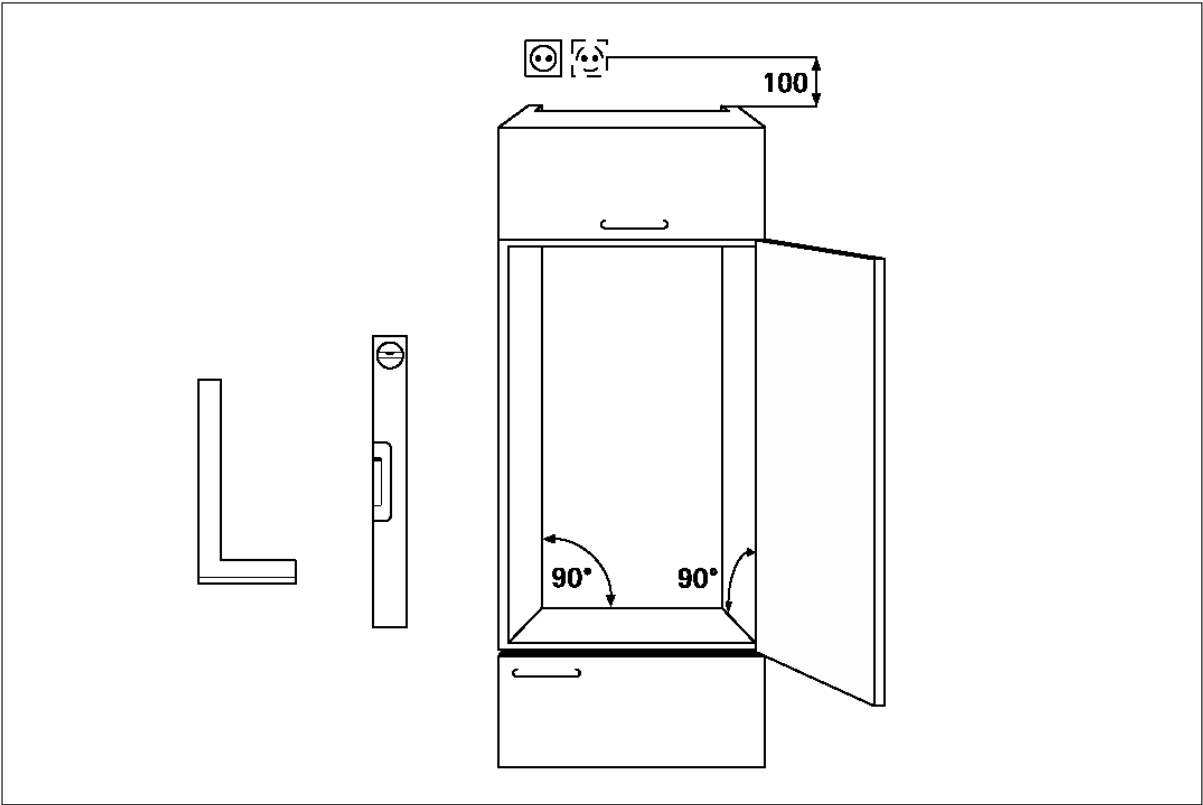


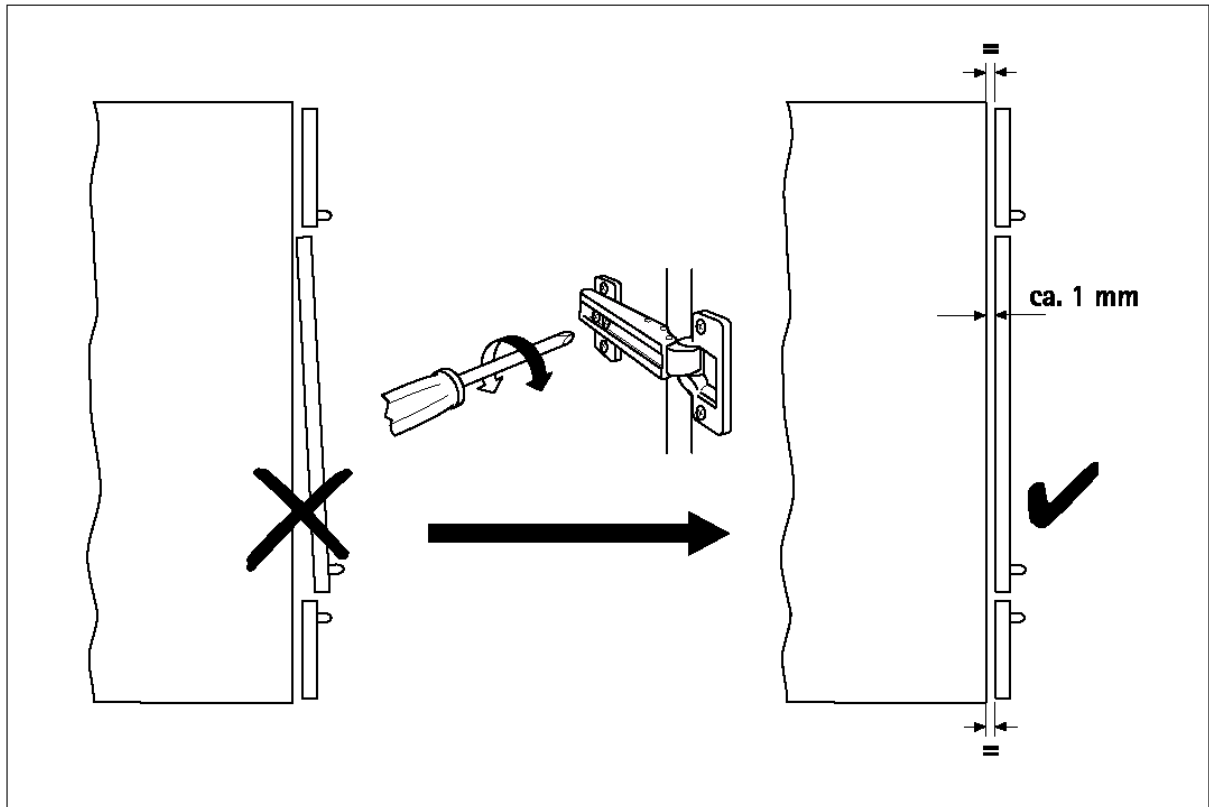
Dimensioned drawings / combination examples



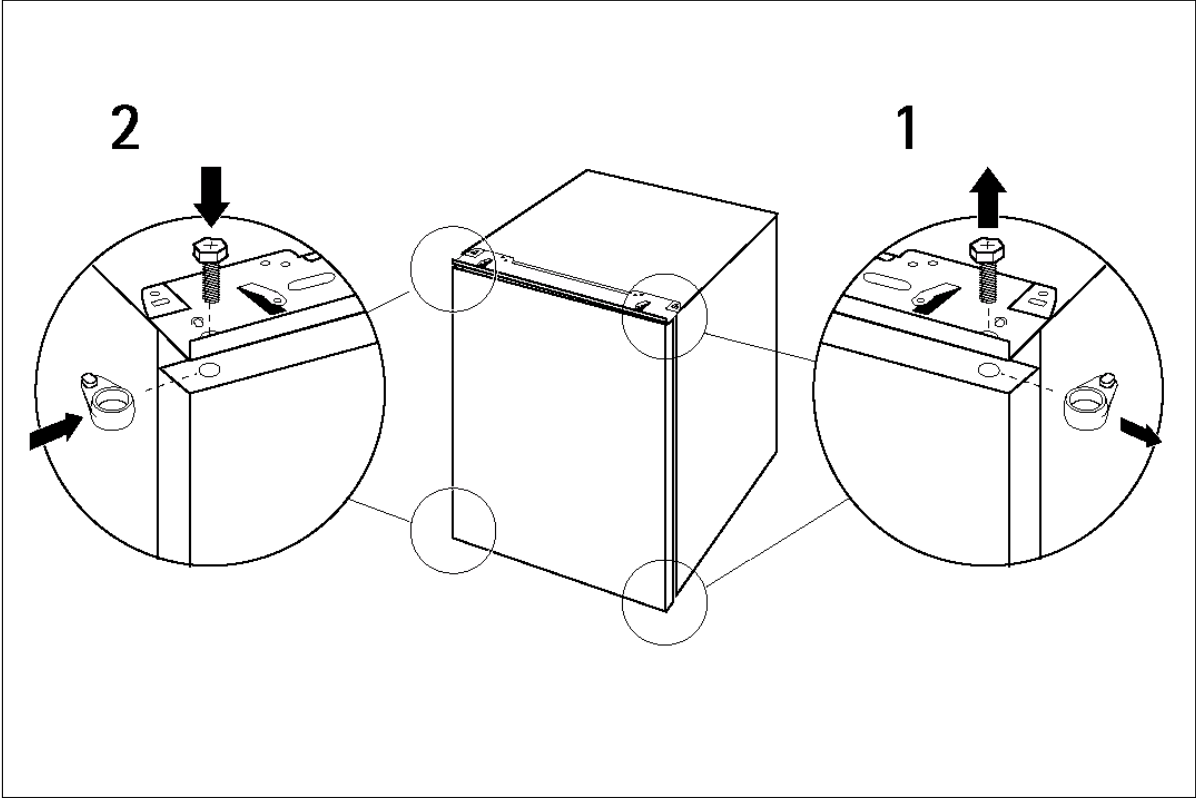


Aligning the furniture housing

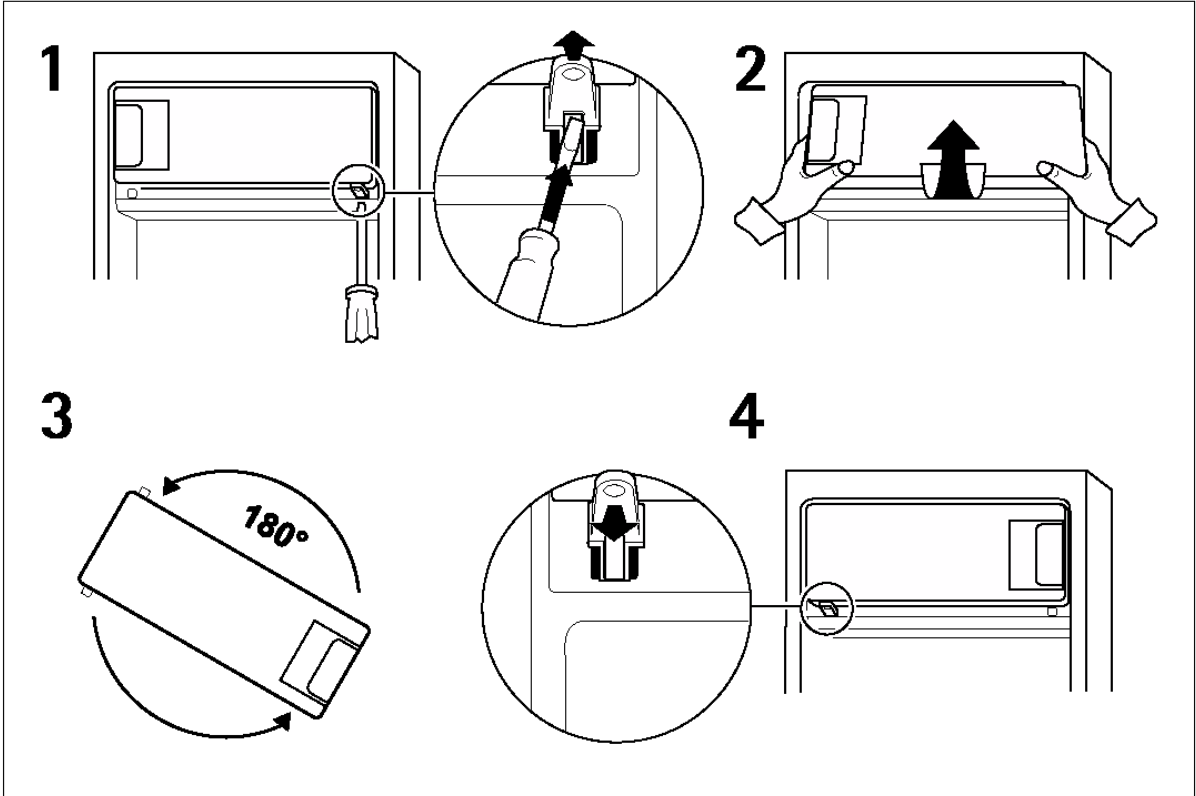




Reversing the door (where necessary)

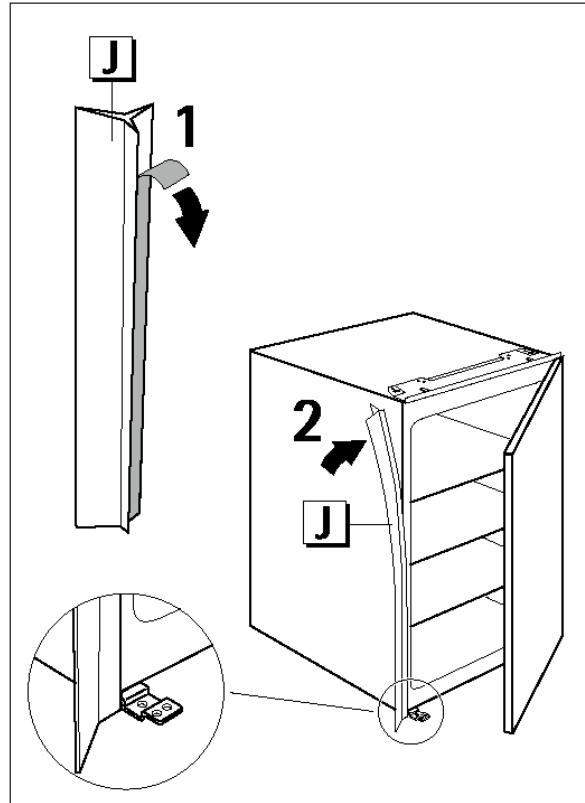
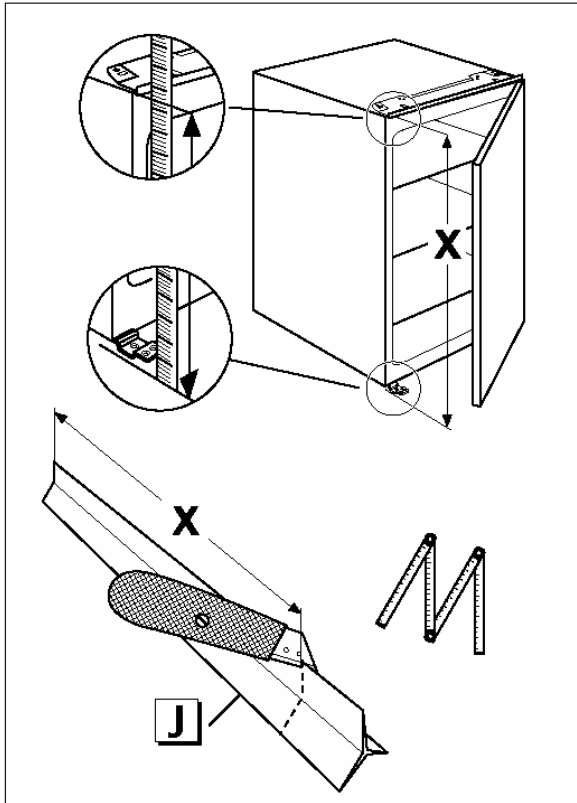


Models incorporating a freezer compartment

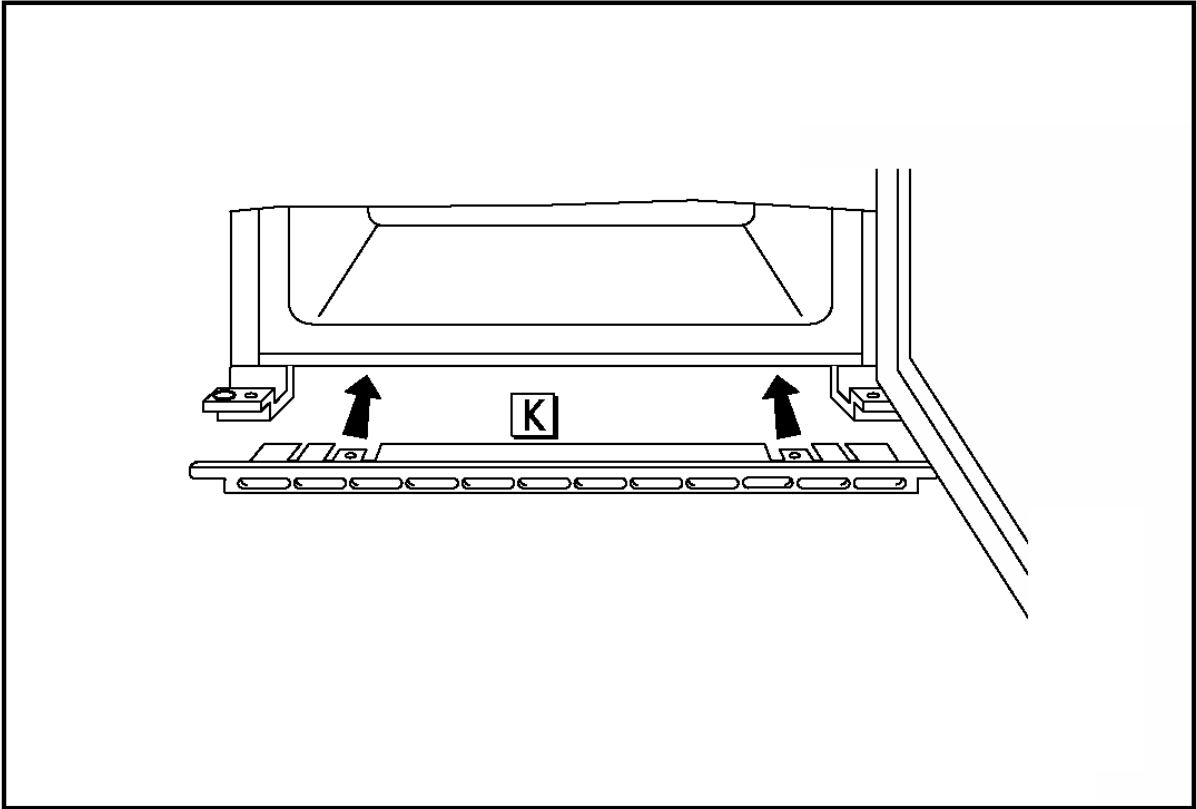


The following installation steps are illustrated only when the door is hinged on the right. If you want the door hinged on the left, please carry out the following installation steps on the opposite side as appropriate.

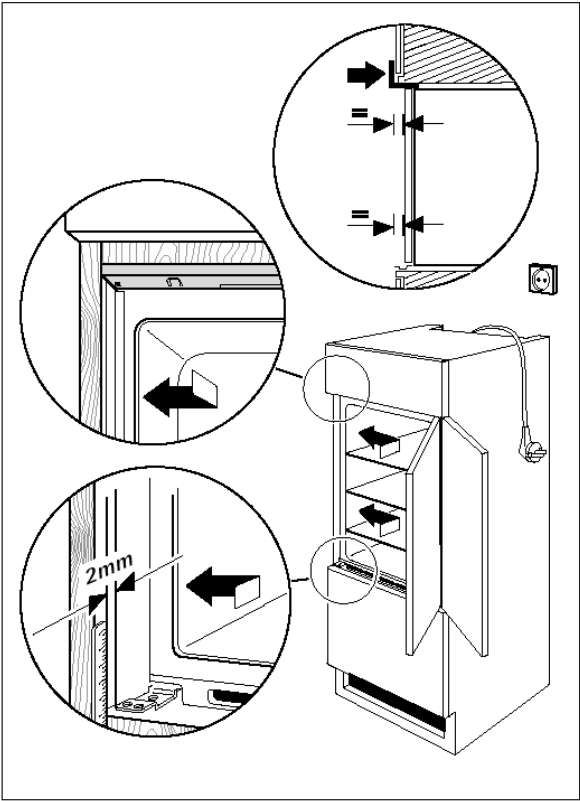
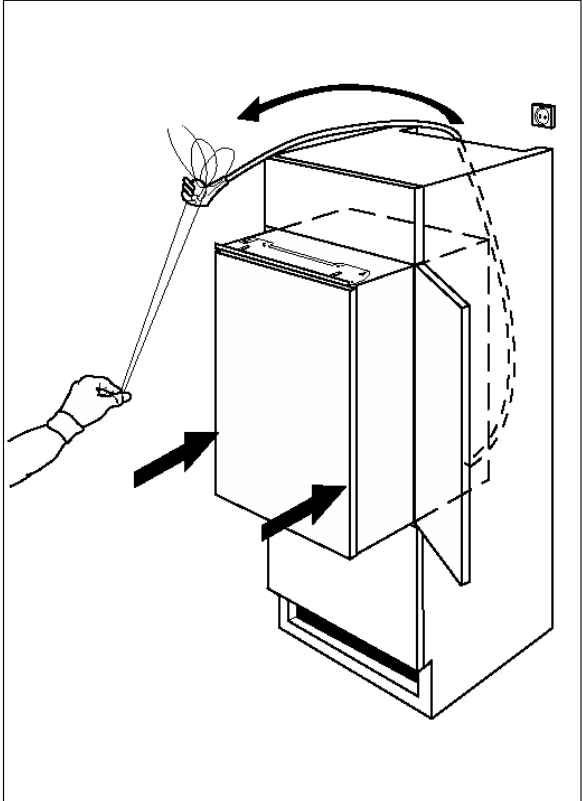
Cut the cover fillet to size and apply to the side of the cabinet.



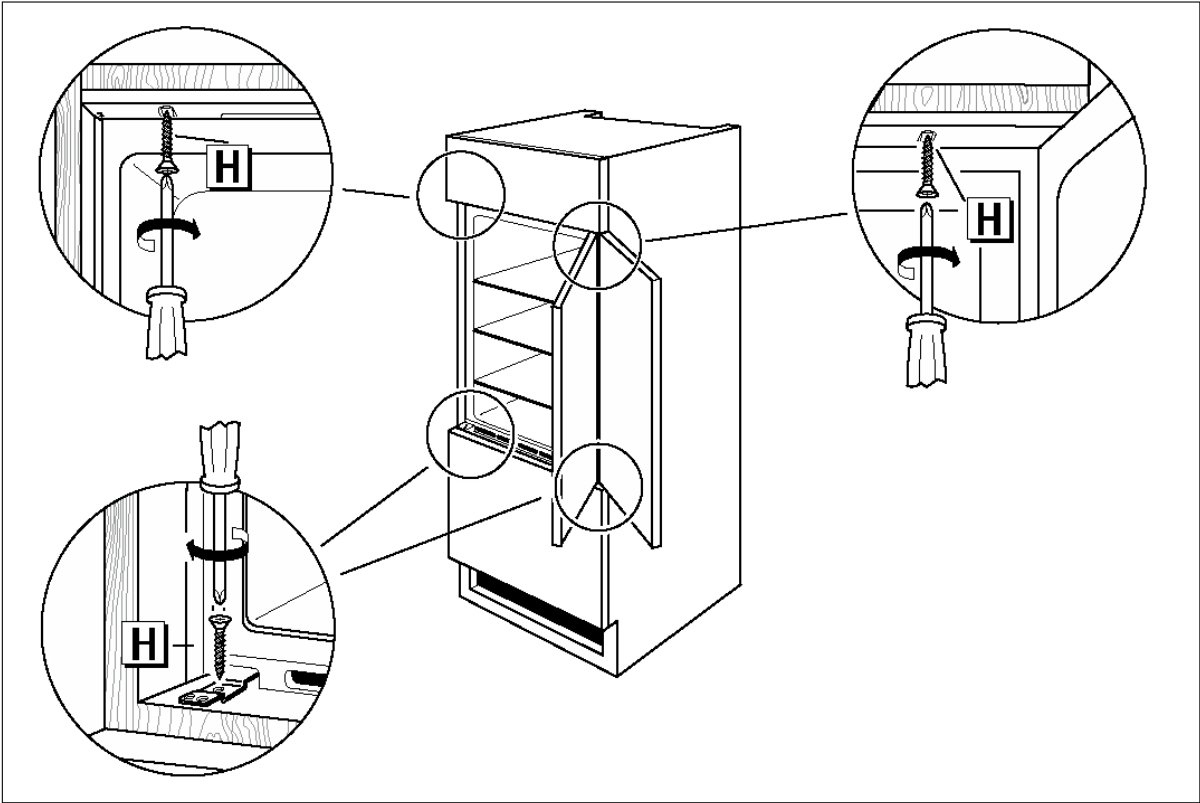
Attach the ventilation grille



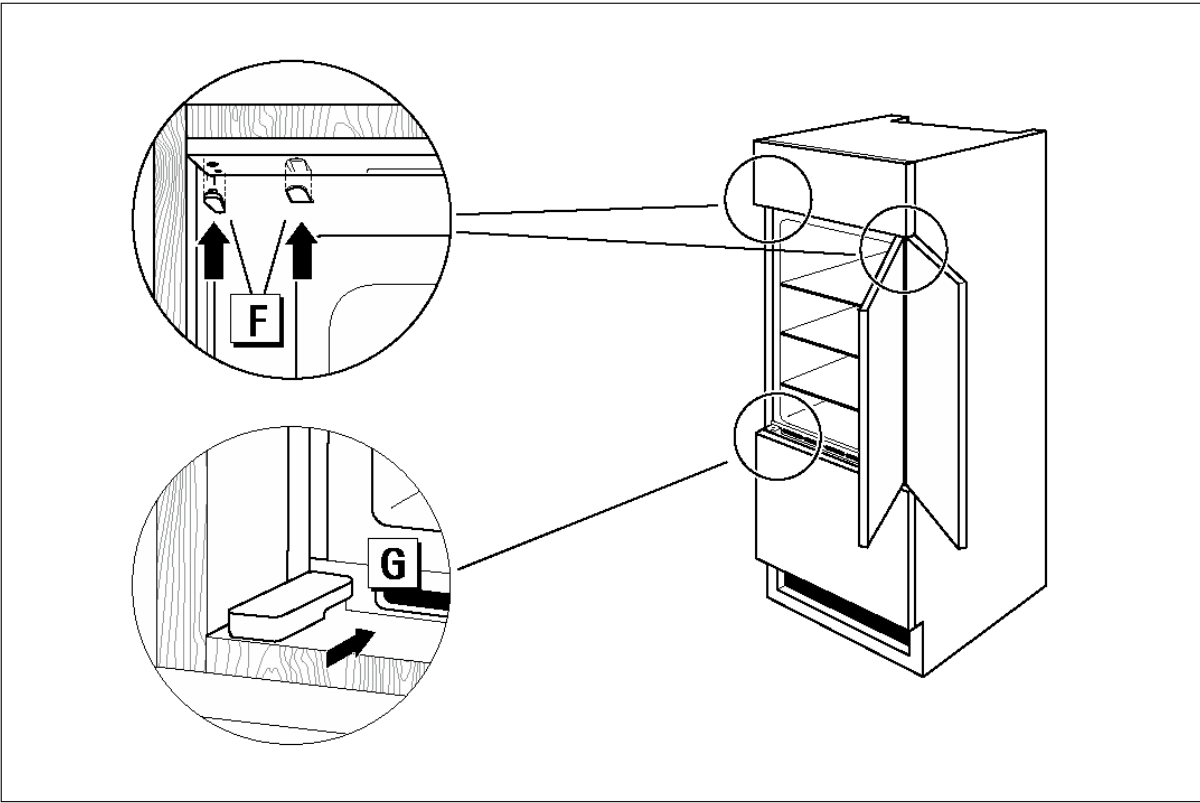
Push appliance into place and align



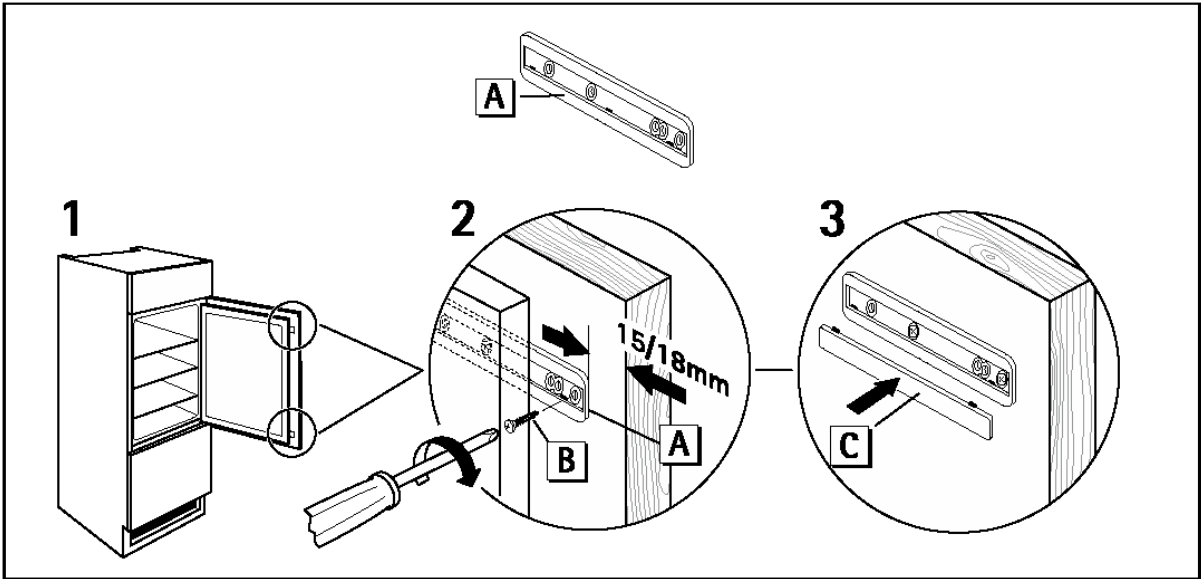
Fit appliance retaining screws



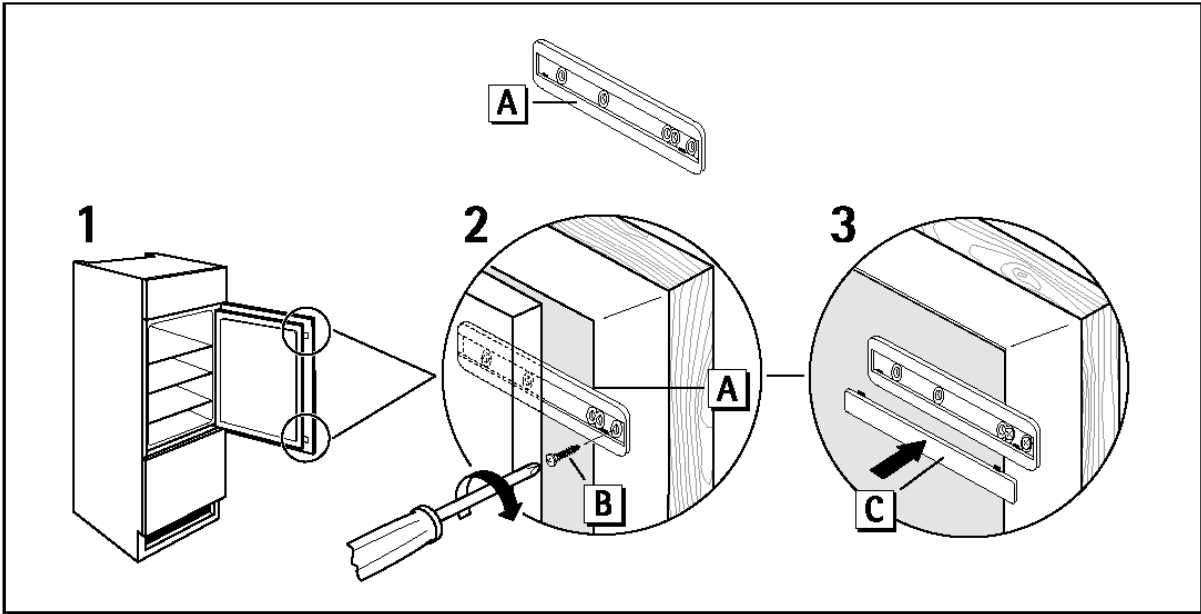
Install blanking and cover caps



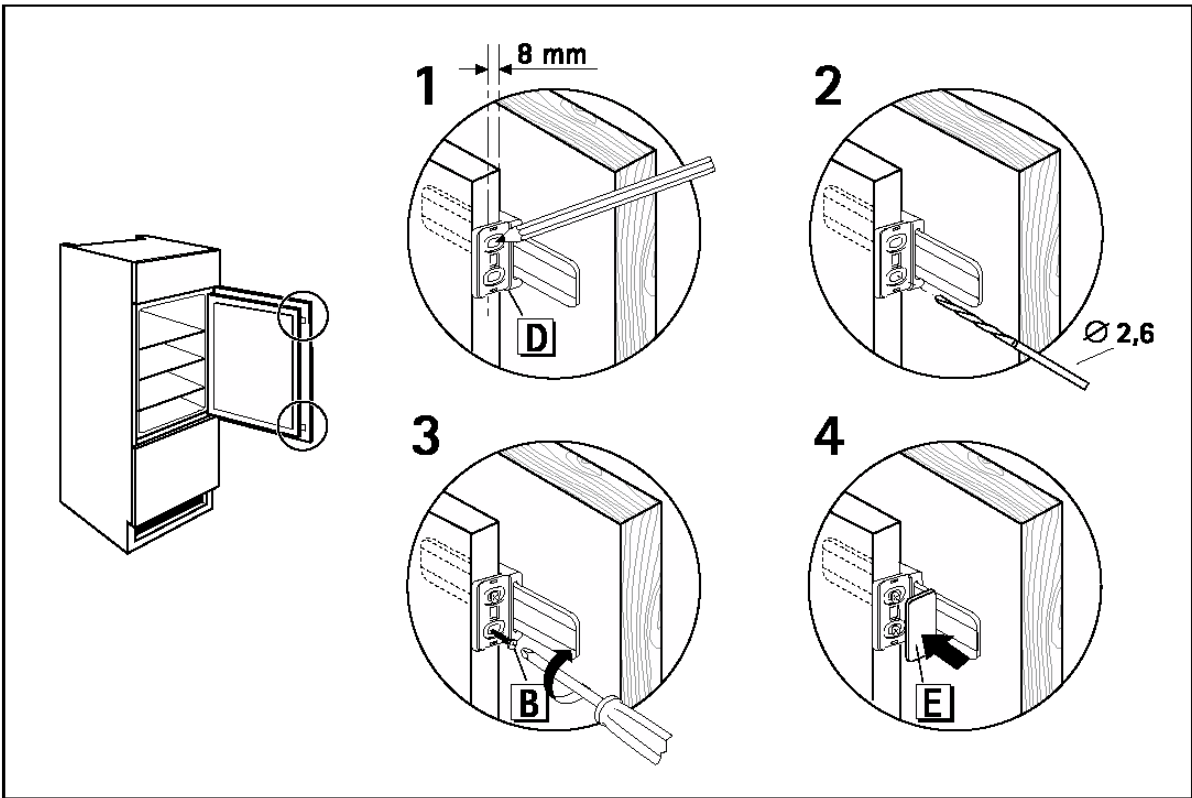
Attaching the furniture door to the appliance door



Smooth furniture doors



Furniture doors with frame and filling



AEG Hausgeräte GmbH
Postfach 1036
D-90327 Nürnberg

<http://www.aeg.hausgeraete.de>

© Copyright by AEG

822 941 081 -01- 1099

This file has been downloaded from:

www.UsersManualGuide.com

User Manual and User Guide for many equipments like mobile phones, photo cameras, mother board, monitors, software, tv, dvd, and othes..

Manual users, user manuals, user guide manual, owners manual, instruction manual, manual owner, manual owner's, manual guide, manual operation, operating manual, user's manual, operating instructions, manual operators, manual operator, manual product, documentation manual, user maintenance, brochure, user reference, pdf manual