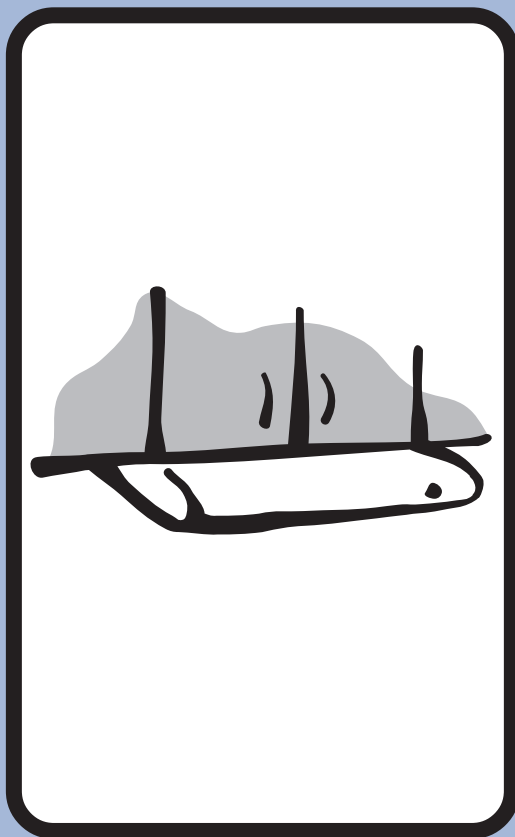


INSTRUCTION BOOK



FOR ELECTROLUX
COOKERHOOD

EFI 625 and EFI 630

 **Electrolux**

UK

Thank you for buying an Electrolux product.

To enable you to use your appliance effectively and safely, please read this instruction book carefully before using the appliance and retain for future reference. If you require guidance in the use of the appliance or require further information on Electrolux Products, please contact our Customer Care Department. For general enquiries concerning your Electrolux appliance or for further information, visit our website at <http://www.electrolux.co.uk>

Customer Care Department
Electrolux
55 - 77 High Street
Slough
Berkshire
SL1 1DZ

Tel: 08705 950 950

To register ownership, please ensure you complete and return the guarantee card supplied with the appliance.

For the User

Important Safety Information

Your Appliance

Operating Instructions

Cooker Hood Controls

To Operate

Recirculation

Extraction

Maintenance and Cleaning

External Cleaning

Synthetic Paper Grease Filter

To Replace the Synthetic Paper Grease Filter

Charcoal Filter

To Remove the Charcoal Filter

Changing a Lamp

Something Not Working

Service and Spare Parts

Guarantee Conditions

For the Installer

Installation Instructions

Technical Information

Electrical Connections

Electrical Requirements

Electrical Connection

Installing the Cooker Hood

Installation Requirements

Ducting

Clearance Height

Unpacking

The fixing kit comprises

Fitting the Wall Brackets

Venting

To Fit the Ducting

Recirculation

Fitting the Cooker Hood to the Wall

Decor Panel

Fitting a Decor Panel to the Hood Visor

To Refit the Hood With Decor Panel Attached
Adjustment

Service Force Centres

Guide to use the instruction book

The following Symbols will be found in the text to guide you through the instruction book



Safety instructions



Step by step instructions

IMPORTANT SAFETY INFORMATION

These warnings are provided in the interests of your safety. Ensure that you understand them all before installing or using this appliance. Your safety is of paramount importance. If you are unsure about any of the meanings of these warnings contact the Customer Care Department.

■ Installation

- Any installation work must be undertaken by a qualified electrician or a competent person.
- This hood must be installed in accordance with the installation instructions and all measurements must be adhered to.
- If the cooker hood is installed for use above a gas appliance then the provision for ventilation must be in accordance with the Gas Safety Codes of Practice BS.6172, BS.5440 and BS.6891 (Natural Gas) and BS.5482 (LP Gas) 1994, the Gas Safety (Installation & Use) Regulations, the Building Regulations issued by the Department of the Environment, the Building standards (Scotland) (Consolidated) Regulations issued by the Scottish Development Department.
- The fan motor of this cooker hood incorporates a cut-out device which will operate if the cooker hood is installed below the minimum height recommended under section 'Clearance Height', or if the motor becomes overheated. If the cut-out device is activated, switch off the fan motor and allow the cooker hood to cool. The cut-out device will reset itself when the fan motor has cooled significantly.
- It is dangerous to alter the specifications or modify this product in any way.
- When installed between adjoining wall cabinets the wall cabinets must not overhang the hob.
- If the room where the hood is to be used contains a fuel burning appliance such as a central heating boiler then its flue must be of the room sealed or balanced flue type.
- If other types of flue or appliances are fitted ensure that there is an adequate supply of air to the room.
- The ducting system for this appliance must not be connected to any existing ventilation system which is being used for any other purpose.
- Do not install above a cooker with a high level grill.

■ Child Safety

- This appliance is designed to be operated by adults. Children should not be allowed to tamper with the controls or play with the appliance.

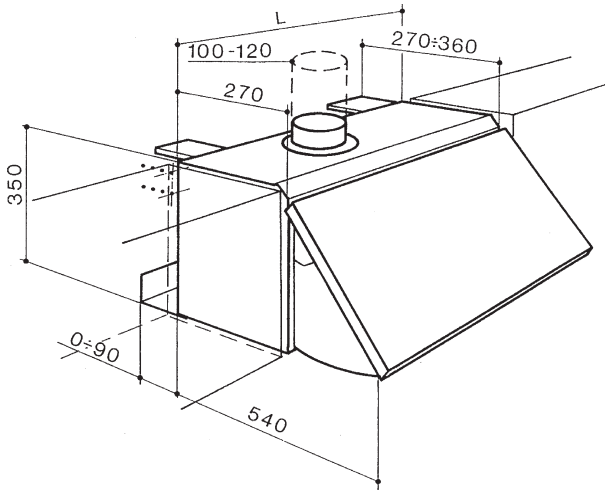
■ During Use

- This product is for domestic use only.
- Never leave frying pans unattended during use as over-heated fats and oils might catch fire.
- Never do flambé cooking under this cooker hood.
- Do not leave naked flames under the hood.

■ Maintenance and Service

- This appliance can be a hazard if the synthetic paper and charcoal filters are not replaced as recommended.
- Under no circumstances should you attempt to repair the appliance yourself. Repairs carried out by inexperienced persons may cause injury or more serious malfunction. Refer to your local Electrolux Service Force Centre. Always insist on genuine spare parts.

YOUR APPLIANCE



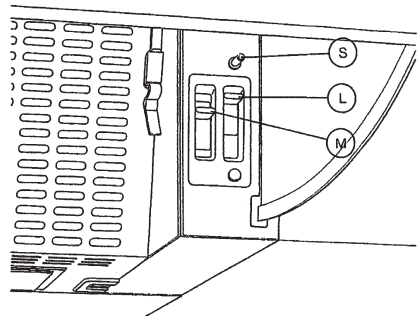
OPERATING INSTRUCTIONS

This cooker hood is designed to extract unpleasant odours from the kitchen, it will not extract steam.

To obtain the best performance it is advisable to switch on the hood a few minutes before you start cooking and leave it running for approximately 15 minutes after finishing.

Cooker Hood Controls

- S. Automatic Microswitch
The microswitch overrides the controls and switches off the hood when the visor is closed. When the visor is opened the hood will resume the function of previous setting.
- M. Fan Speed Control
Position 0 - Off
Position 1 - Low
Position 2 - Normal
Position 3 - Boost
- L. Light ON/OFF control
Position 0 - Off
Position 1 - On



To Operate

Open the visor and select the required functions.

The appliance can be installed to recirculate or extract contaminated air. The cooker hood is more effective when used in the extraction mode.

Recirculation

The hood is supplied specified for use in the recirculation mode with the charcoal filter/s fitted.

The contaminated air is cleaned by passing through the filters and then back into the kitchen.

Extraction

The contaminated air enters the hood passing through the grease filter and out through the ducting into the atmosphere.

When the extraction mode is selected the charcoal filter is not required.



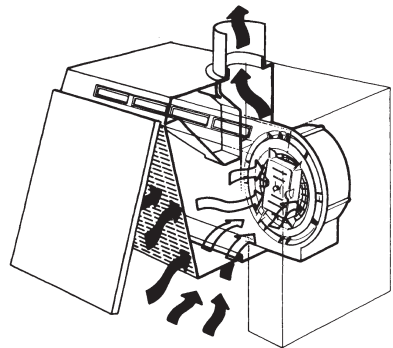
Never do flambé cooking under this cooker hood.

Take extra care when frying and never leave frying pans unattended during use, as overheated fats and oils can catch fire.

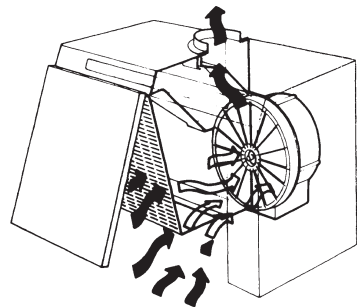
Do not leave naked flames under the cooker hood.

Ensure the visor is open when using the hob, even if the fan on the hood is not switched on.

Ensure heating areas on your hob are covered with pots and pans when using the hob and cooker hood simultaneously.




Extraction Mode



Recirculation Mode


MAINTENANCE AND CLEANING

 Before carrying out any maintenance or cleaning isolate the cooker hood from the mains supply.

The cooker hood must be kept clean, as a build up of grease or fat can be a fire hazard.

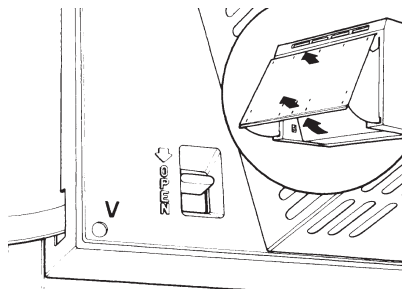
External Cleaning

Wipe the cooker hood frequently with warm soapy water using a mild detergent.

 Always wear protective gloves when cleaning the hood.

Never use scouring pads or abrasive cleaners.


Never use excessive amounts of water when cleaning particularly around the control panel.



Synthetic Grease Filter

The synthetic grease filter cannot be cleaned. It should be replaced approximately every three months or more often if the hood is used for more than three hours per day.

 It cannot be washed.

 To replace the synthetic paper grease filter

1. Open the visor.
2. Press inwardly on the two slide catches and lower the grille to the stop position. Raise the front edge of the grille through a 45° angle until it detaches itself from the guides.
3. Carefully ease out the metal wire retaining clips.
4. Clean the metal grille and clips before replacing the grease filter.

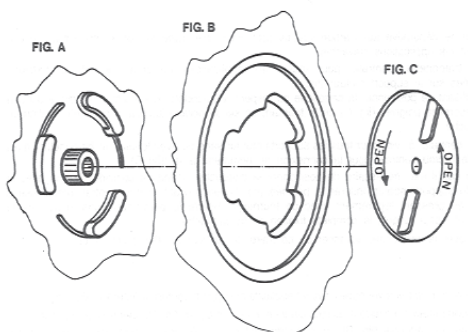
Charcoal Filter

The charcoal filter/s absorb the odours from cooking. They will slowly become saturated and gradually less effective.

The charcoal filter cannot be cleaned, it should be replaced approximately every three months or more often if the hood is used for more than three hours per day.

 To Remove/Replace the Charcoal Filter/s

1. Remove the metal inlet grille.
2. Carefully turn the disk (C) anti-clockwise and remove the charcoal filter/s (B) from the motor support/s (A) as illustrated opposite.



3. Clean the metal inlet grille/s and motor support/s before replacing the charcoal filter/s.
4. Place the new charcoal filter/s (B) over the motor support/s (A), and while holding the filter securely insert the disk (C) and turn clockwise.

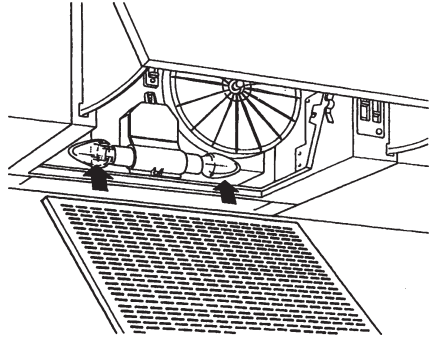
This appliance can be a fire hazard if the grease and charcoal filters are not replaced as recommended.

Changing the Lamps

If a lamp fails to function check that the lamp is securely screwed into the holder. To tighten the lamps turn clockwise, but ensure not to over tighten them and break the lens.

When changing the lamps an identical replacement must be fitted to ensure the safe working of the cooker hood. The replacement lamps are specified 220-240 volt 40 watt clear cylindrical shape lens with a small (E14) screw thread.

Replacement charcoal filters, grease filters and lamps can be obtained from your local Service Force Centre.



SOMETHING NOT WORKING

If, having followed these instructions carefully, your cooker hood fails to work properly please carry out the following checks.

Symptom	Solution
The cooker hood will not start	<ul style="list-style-type: none"> Check the hood is connected to the electricity supply. Check that the fan speed control is set to 1, 2 or 3.
The cooker hood is not working effectively	<ul style="list-style-type: none"> The fan speed is set high enough for the task. The grease filter is clean. The kitchen is adequately vented to allow the entry of fresh air. If set up for recirculation, check that the charcoal filter is still effective. If set up for extraction, check that the ducting and outlets are not blocked.
The cooker hood has switched off during operation	<ul style="list-style-type: none"> The safety cut-out device has been tripped. Turn off the hob and then wait for the device to reset.

If after all these checks, the problem persists, contact your local Service Force Centre, quoting the model and serial number.

Please note that it will be necessary to provide proof of purchase for any in-guarantee service calls.

In-guarantee customers should ensure that the above checks have been made as the engineer will make a charge if the fault is not a mechanical or electrical breakdown.

SERVICE AND SPARE PARTS

If you require an engineer or wish to purchase spare parts contact your local Service Force Centre by telephoning:

08705 929929

Your telephone call will be routed to your local Service Force Centre. For further details please see the back of this book.

For general assistance with your appliance or for information on Electrolux products please contact our Customer Care Department.

Customer Care Department,
Electrolux
55 - 77 High Street
Slough
Berkshire
SL1 1DZ

Tel: 08705 950 950*

* calls to this number may be recorded for training purposes.

GUARANTEE CONDITIONS

STANDARD GUARANTEE CONDITIONS

We, Electrolux, undertake that if within twelve months of the date of the purchase this Electrolux built-in appliance or any part there of is proved to be defective by reason only of faulty workmanship or materials, the company will, at our option repair or replace the same FREE OF ANY CHARGE for labour, materials or carriage on condition that:

- The appliance has been correctly installed and used only on the electrical supply stated on the rating plate.
- The appliance has been used for normal domestic purposes only, and in accordance with the manufacturer's operating and maintenance instructions.
- The appliance has not been serviced, maintained, repaired, taken apart or tampered with by any person not authorised by us.
- All service work under this guarantee must be undertaken by Electrolux Service Force Centre.
- Any appliance or defective part replaced shall become the property of this company.

Home visits are made between **8.30am and 5.30pm Monday to Friday**. Visits may be available outside these hours in which case a premium will be charged.

EXCLUSIONS

This Guarantee does not cover:

Damage or calls resulting from transportation, improper use or neglect, the replacement of any light bulbs or removable parts of glass or plastic.

- Costs incurred for calls to put right appliances improperly installed or calls to appliances outside the United Kingdom.
- Appliances found to be in use within a commercial environment, plus those which are the subject of rental agreements.
- Products of Electrolux manufacture which are not marked by Electrolux.

This guarantee is in addition to your statutory and legal rights.

ELECTROLUX EUROPEAN GUARANTEE

If you should move to another country within Europe then your guarantee moves with you to your new home subject to the following qualifications:

- The guarantee starts from the date you first purchased your product.
- The guarantee is for the same period and to the same extent for labour and parts as exists in the new country of use for this brand or range of products.
- This guarantee relates to you and cannot be transferred to another user.
- Your new home is within the European Community (EC) or European Free Trade Area.
- The product is installed and used in accordance with our instructions and is only used domestically, i.e. a normal household.

Before you move please contact your nearest Customer Care Centre, listed below, to give them details of your new home. They will then ensure that the local Service Organisation is aware of your move and able to look after you and your appliances.

France	Senlis	+33 (0)3 44 62 29 99
Germany	Nurnberg	+49 (0)911 323 2600
Italy	Pordenone	+39 (0)1678 47053
Sweden	Stockholm	+46 (0)8 738 79 50
UK	Slough	+44 (0)1753 219 898

INSTALLATION INSTRUCTIONS



It is dangerous to alter the specifications or attempt to modify this product in any way.

Technical Information

DIMENSIONS

HEIGHT:	350mm
WIDTH:	598mm
DEPTH:	270-360mm
DEPTH WITH VISOR OPEN:	540-630mm

WEIGHT

GROSS:	EFI 625 12,5 kg - EFI 630 14 kg
NET:	EFI 625 10,9 kg - EFI 630 12,5 kg

ELECTRICAL SUPPLY:

Voltage (~50Hz) 220-240 V

POWER CONSUMPTION:

EFI 625 190 W - EFI 630 225 W

FAN MOTOR:

EFI 625 145 W - EFI 630 110 W

LAMP:

2 x 40 W 80 W

SUITABLE FOR INSTALLATION

ABOVE:

ELECTRIC HOB:	7 KW (max)
GAS HOB:	10 KW (max)
SLOT-IN GAS COOKER	13.5 KW (max)
SLOT-IN ELECTRIC COOKER	12.4 KW (max)

CHARCOAL FILTER/S:

Supplied



Note: CE Marking certifies that this appliance complies with the requirements laid down in EEC directive 89:336. (Electromagnetic compatibility) and subsequent modifications and Low Voltage directive 72/23/E.

ELECTRICAL CONNECTIONS



WARNING: DOUBLE INSULATED DO NOT EARTH

Electrical Requirements

Any permanent electrical installation must comply with the latest I.E.E. Regulations and local Electricity Board regulations. For your own safety this should be undertaken by a qualified electrician e.g. your local Electricity Board, or a contractor who is on the roll of the National Inspection Council for Electrical Installation Contracting (NICEIC).

Electrical Connection

Before connecting to the mains supply ensure that the mains voltage corresponds to the voltage on the rating plate inside the cooker hood.

This appliance is fitted with a 2 core mains cable and must be permanently connected to the electricity supply via a double-pole switch having 3mm minimum contact gap on each pole. A Switched Fuse Connection Unit to BS1363 Part 4, fitted with a 3 Amp fuse, is a recommended mains supply connection accessory to ensure compliance with the Safety Requirements applicable to fixed wiring instructions.

This appliance conforms to BS 800: 1988 and EEC Directive No. 78 308 regarding suppression of radio and television interference.

INSTALLING THE COOKER HOOD

Please ensure that when the appliance is installed it is easily accessible to an engineer in the event of a breakdown.



All installations must comply with the local authorities requirements for the discharge of exhaust air.

Incorrect installation may affect the safety of this cooker hood.

Installation Requirements



Before installation check the wall to which the cooker hood is to be fitted for electric cables, water pipes or gas.

If it is necessary to fix the hood to a hollow construction plaster or partition board structure then it should be sufficiently reinforced to be quite rigid in the area of the cooker hood mounting brackets, and the appropriate rawl plugs used for this type of fixing (not supplied).

Ducting

The ducting must be fire retardant (EF1 625) 100mm (4ins), and (EF1 630) 125mm (5ins) in diameter and the length should be no more than:

3 metres with one 90° bend

2 metres with two 90° bends

Bends of more than 90° will reduce the efficiency of the hood and reduce the airflow.

Clearance Height

The cooker hood is designed to be fitted over a cooking appliance at the clearance heights stated, providing the maximum output of the appliance beneath does not exceed the maximums quoted in the Technical Specifications.


If the output of the appliance below the cooker hood exceeds the maximum outputs quoted, please refer to the cooker manufacturer's installation instructions.

Clearance Height

A minimum clearance height of 650mm (25 1/2 ") is required when installed above a built-in electric hob, or 700mm (27 1/2 ") when installed above a built-in gas hob.

A minimum clearance height of 685mm (27") is required when installed above a slot-in electric cooker, or 787mm (30 1/2 ") when installed above a slot-in gas cooker.

When installed between adjoining wall cabinets, the wall cabinets must not overhang the hob and the distance between the underside of the cabinet and the worktop must be 450mm. If the height of the wall cabinet is less than 450mm, a gap of 50mm must be maintained either side of the hob.

 *This cooker hood must not be installed above a cooking appliance with a high level grill.*

Unpacking

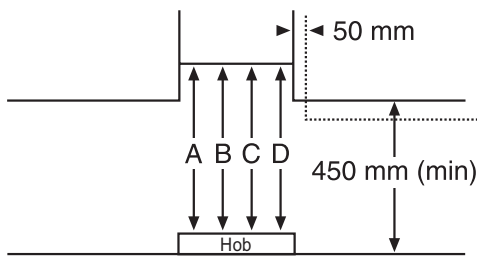
The fittings supplied to install this cooker hood can be found with the instruction book inside the packaging.

The fixing kit comprises:

- 2 - Wall fixing brackets
- 6 - Decor panel fixing screws
- 4 - Security fixing screws

Fitting the Wall Brackets

1. Use the paper template provided to mark the hole positions on the wall for the bracket fixing screws (not supplied).
2. Check the hole distances are correct with a tape measure as stated on the template.
3. At this stage it is important to allow 15mm (1/2 ins) clear space above the cooker hood to enable it to be hooked onto the brackets and for subsequent removal for decorating or servicing.




- A: Built-in Electric Hob: 650mm minimum clearance
- B: Built-in Gas hob: 700mm minimum clearance
- C: Slot-in Electric Cooker: 685mm minimum clearance
- D: Slot-in Gas Cooker: 787mm minimum clearance

Venting

The hood is more effective when used in the extraction setting (ducted to the outside).

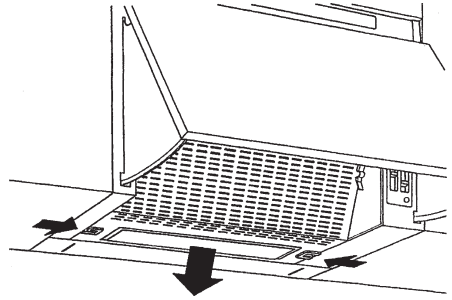
Venting kits may be purchased through your retailer or DIY store, and must be ducted to an outside vent of (EFI 625) 100mm (4 ins) or (EFI 630) 125mm (5 ins) minimum.

 *The ducting used must be manufactured from fire retardant material.*

When the cooker hood is ducted externally the charcoal filter/s must be removed.

To Fit the Ducting

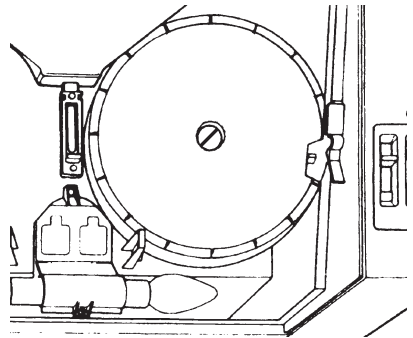
1. Open the grille by pressing inwardly on the actuator bolts at each side of the grille, while pulling the grille panel downwards. The grille panel will slide into the intermediate position. Raise the lower edge of the grille forward through 45° angle until the grille becomes detached from the slide mechanism.
2. Align the flat sides on the spigot with the recesses in the top of the casing. Insert and snap fix the spigot into the casing.
- 3.1 EFI 625 - Connect the 100mm (4 ins) ducting to the spigot and make an air tight seal.
- 3.2 EFI 630 - Fit the 120 to 125mm flange to the spigot, then connect the 125mm (5 ins) ducting to the spigot and make an air tight seal.
4. Remove the charcoal filters.



Recirculation


The cooker hood is supplied specified for use in the recirculation mode with the charcoal filter/s fitted.

In the recirculation mode contaminated air is passed through the charcoal filter/s to be purified and recirculated into the kitchen through the outlet on the top of the cooker hood.



Fitting the Cooker Hood to the Wall

1. Fit the brackets with the round ends facing downwards using the plastic rawl plugs and screws provided.
2. Once the brackets are secured, lift the hood squarely to the wall slightly higher than the brackets and lower the cooker hood until it is located onto the two brackets.

 *Ensure that the cooker hood is correctly located before letting go.*


3. By loosening the screws in the extension arm the hood can be aligned with the front of the adjoining wall cabinets.
4. The hood should be secured on each side to the adjoining wall cabinets using the 4 x 15mm (1/2 ins) security screws provided.
5. Adjust the lower spacer panel at the rear of the hood to close the gap to the wall.

Decor Panel

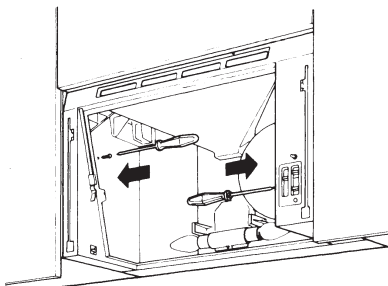
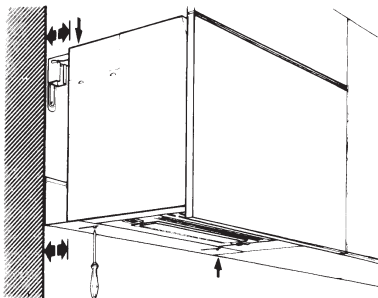
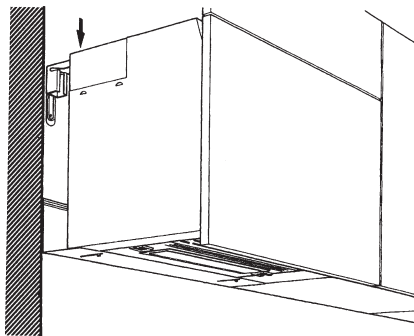
The dimensions of the door panel should be 596mm (23 1/2 ins) wide by 350mm (13 3/4 ins) in height.

Fitting a Decor Panel to the Hood Visor

1. Remove the complete visor assembly by first pulling the visor open while simultaneously pressing down on the release catch located behind the visor on the left hand side of the casing.
2. Using the paper template provided, mark the screw hole positions on the reverse side of the decor panel. Ensure that the paper template is aligned with the top edge of the decor panel.

 *Failure to align the top edge of the decor panel with the template will prevent the visor from opening when installed.*

3. Before drilling, use a tape measure to check the distances of the screw holes (as given on the template). The template may have altered due to dampness after manufacture.
4. Use the 6 x 15mm (1/2 ins) round headed screws provided to attach the decor panel to the hood visor.



To Refit the Hood with Decor Panel Attached

1. Insert the upper visor guides into the upper track in the front of the casing.
2. Pull down the bottom edge of the visor and insert the lower guides into the track in the bottom of the casing.
3. Push the visor in until an audible click is heard.
4. The visor can now be opened and closed in its normal function.

Adjustment

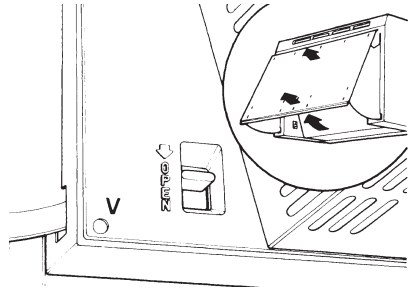
If a heavy door is fitted or if the visor will not stay closed it may be necessary to make an adjustment to the closing mechanism of the visor.

Insert a small flat bladed screw driver through the hole (the friction assembly) on either side of the casing indicated by the letter "V" and turn clockwise to apply pressure on the guide.

Both friction assemblies should be adjusted by the same amount to ensure the visor opens smoothly.



Care should be taken when removing the visor with the decor panel for cleaning or servicing, as the visor is now extremely heavy and should it be dropped, it could damage the appliance beneath and adjoining work surfaces.



To contact your local Service Force Centre telephone **08705 929 929**

<p style="text-align: center;">CHANNEL ISLANDS</p> <p>GUERNSEY Guernsey Electricity PO Box 4 Vale, Guernsey Channel Islands GY1 3AD</p> <p>JERSEY Jersey Electricity Company Haut De L'orme Rue De Haut De L'orme Trinity Jersey Channel Islands JE3 5FG</p>	<p>ISLE OF LEWIS ND Macleod 16 James Street Stornoway Isle of Lewis PA87 2QW</p> <p>KELSO 2, 6 & 8 Woodmarket Kelso Borders TD5 7AX</p> <p>ORKNEY 7 King Street Kirkwall Orkney KW15 1JF</p>	<p style="text-align: center;">NORTH EAST</p> <p>GATESHEAD Unit 356a Dukesway Court Dukeway Gateshead NE11 0BH</p> <p>GRIMSBY 15 Hainton Avenue Grimsby N. E. Lincs DN32 9AS</p> <p>HULL Unit 1 Boulevard Industrial Estate Hull HU3 4AY</p> <p>LEEDS 64-66 Cross Gates Road Cross Gates Leeds LS15 7YS</p> <p>NEWTON AYCLIFFE Unit 23 Northfield Way Aycliffe Industrial Park Newton Aycliffe DL5 6EJ</p> <p>SHEFFIELD Pennine House Roman Ridge Road Sheffield S9 1GB</p>
<p style="text-align: center;">SCOTLAND</p> <p>ABERDEEN 54 Claremont Street Aberdeen AB10 6RA</p> <p>AUCHTERMUCHTY 33a Burnside Auchtermuchty Fife KY14 7AJ</p> <p>BLANTYRE Unit 5 Block 2 Auchenraith Ind. Estate Rosendale Way Blantyre G72 0NJ</p> <p>DUMFRIES 93 Irish Street Dumfries DG1 2 PQ</p> <p>DUNOON 7 Hill Street Dunoon Argyll PA23 7AL</p> <p>EDINBURGH Unit 12 Dumbyden Ind. Estate 2 Dumbyden Road Edinburgh EH14 2AB</p>	<p>PERTH Scottish Hydro Electric Central Warehouse Inveralmond Perth PH1 3AF</p> <p>(OWN SALES)</p> <p>SHETLAND 3-4 Carlton Place Lerwick Shetland ZE1 0PW</p> <p>(OWN SALES)</p> <p>SHETLAND Bolts Shetland 26 North Road Lerwick Shetland ZE1 0PE</p> <p>(OWN SALES)</p> <p>WHALSAY Leask Electrical Harisdale Symbister, Whalsay Shetland ZE2 9AA</p> <p>(OWN SALES)</p>	<p style="text-align: center;">NORTH WEST</p> <p>BIRKENHEAD 1 Kelvin Park Dock Road Birkenhead CH41 1LT</p> <p>CARLISLE Unit 7 James Street Workshops James Street Carlisle Cumbria CA2 5AH</p> <p>ISLE OF MAN South Quay Ind. Estate Douglas Isle of Man IM1 5AT</p> <p>BOLTON Unit B Central Industrial Estate St Marks Street Bolton BL3 6NR</p> <p>PRESTON Unit 250 Dawson Place Bamber Bridge Preston Lancashire PR5 8AL</p> <p>STOCKPORT Unit 20 Haigh Park Haigh Avenue Stockport SK4 1QR</p>
<p>GLASGOW Unit 4 Wellington Road Bishopriggs Glasgow G64 2SA</p> <p>INVERNESS Unit 3BI Smithton Ind. Estate Smithton Inverness IV2 7WL</p> <p>ISLE OF ARRAN Arran Domestics The Douglas Centre Brodick Isle of Arran KA27 8AJ</p> <p>ISLE OF BARRA J Zerfah 244 Bruernish Isle of Barra Western Islands HS9 5QY</p> <p>ISLES OF BUTE Walker Engineering Glennhor Upper Serpentine Road Rothesay Isle of Bute PA20 9EH</p>	<p style="text-align: center;">NORTHERN IRELAND</p> <p>BELFAST Owenmore House Kilwee Business Park Dumurry Belfast BT17 0HD</p>	<p style="text-align: center;">WALES</p> <p>CARDIFF Unit 4 Guardian Industrial Estate Clydesmuir Road Cardiff CF2 2QS</p> <p>CLYWD Unit 6-7 Coed Parc Abergele Road Rhuddlan Clwyd LL18 5UG</p> <p>DYFED Unit 9 St. Clears Business Park Tenby Road St. Clears Carmarthen SA33 4JW</p> <p>OSWESTRY Plas Ffynnon Warehouse Middleton Road Oswestry SY11 2PP</p>

To contact your local Service Centre telephone 08705 929 929

MIDLANDS	LONDON & EAST ANGLIA	SOUTH EAST
BIRMINGHAM 66 Birch Road East Wyrley Trading Estate Witton Birmingham B6 7DB	BECKENHAM 11a Gardner Ind. Estate Kent House Lane Beckenham Kent BR3 1QZ	ASHFORD Unit 2 Bridge Road Business Centre Bridge Road Ashford Kent TN23 1BB
BOURNE Pinfold Road Bourne PE10 9HT	CHELMSFORD Hanbury Road Widford Ind. Estate Chelmsford Essex CM12 3AE	FLEET Unit 1 Redfields Ind. Estate Church Crookham Fleet Hampshire GU13 0RD
BRIDGNORTH 68 St. Mary's Street Bridgnorth Shropshire WV16 4DR	COLINDALE Unit 14 Capitol Park Capitol Way Colindale London NW9 0EQ	HAYWARDS HEATH 21-25 Bridge Road Haywards Heath Sussex RH16 1UA
GLOUCESTER 101 Rycroft Street Gloucester GL1 4NB	ELTHAM 194 Court Road Mottingham Eltham London SE9 4EW	TONBRIDGE Unit 30 Deacon Trading Estate Morley Road Tonbridge TN9 1RA
HEREFORD Units 3 & 4 Bank Buildings Cattle market Hereford HE4 9HX	ENFIELD 284 Alma Road Enfield London EN3 7BB	
HIGHAM FERRERS 30 High Street Higham Ferrers Northants NN10 8PL	GRAVESEND Unit B4 Imperial Business Estate West Mill Gravesend Kent DA11 0DL	SOUTH WEST
ILKESTON Unit 2 Furnace Road Ilkeston DE7 5EP	IPSWICH Unit 6C Elton Park Business Centre Hadleigh Road Ipswich IP2 0DD	BARNSTAPLE Main Road Fremington Barnstaple North Devon EX31 2NT
LEICESTER Unit 7 Oaks Industrial Estate Coventry Road Narborough Leicestershire LE9 5GF	LETCHWORTH 16-17 Woodside Ind. Park Works Road Letchworth Herts SG6 1LA	BOURNEMOUTH 63-65 Curzon Road Bournemouth Dorset BH1 4PW
LINCOLN Unit 8 Clifton Street Stone Field Park Lincoln LN5 8LQ	LONDON 2 - 4 Royal Lane Yiewsley West Drayton Middlesex UB7 8DL	BRIDGEWATER 6 Herswell Business Park Salmon Parade Bridgwater Somerset TA6 5PY
NEWCASTLE UNDER LYME 18-21 Croft Road Brampton Ind. Estate Newcastle under Lyme Staffordshire ST5 0TW	MAIDENHEAD Reform Road Maidenhead Berkshire SL6 8BY	BRISTOL 11 Eldon Way Eldonwall Trading Estate Bristol BS4 3QQ
REDDITCH 13 Thornhill Road North Moons Moat Redditch Worcestershire B98 9ND	MOLESEY 10 Island Farm Avenue West Molesey Surrey KT8 2UZ	EMSWORTH 266 Main Road Southbourne Emsworth PO10 8JL
TAMWORTH Unit 3 Sterling Park Claymore Tamworth B77 5DQ	NEWBURY 9 Pipers Court Berkshire Drive Thatcham Berkshire RG19 4ER	ISLE OF WIGHT Unit 8 Enterprise Court Ryde Business Park Ryde Isle of Wight PO33 1DB
WORCESTER Units 1 & 2 Northbrooks Close Gregorys Mill Ind. Estate Worcester WR3 8BP	NORWICH 2b Trafalgar Street Norwich NR1 3HN	NEWTON ABBOT Unit 2 Zealley Ind. Estate Kingsteignton Newton Abbot TQ12 3TD
	SUNBURY Unit 1a The Summit Hanworth Road Sunbury on Thames TW16 5DB	REDRUTH Unit 7D Pool Ind. Estate Druids Road Redruth Cornwall TR15 3RH



55 - 77 High Street - Slough
BERKSHIRE SL1 1DZ

© Electrolux Household Appliances Limited 2001

This file has been downloaded from:

www.UsersManualGuide.com

User Manual and User Guide for many equipments like mobile phones, photo cameras, mother board, monitors, software, tv, dvd, and othes..

Manual users, user manuals, user guide manual, owners manual, instruction manual, manual owner, manual owner's, manual guide, manual operation, operating manual, user's manual, operating instructions, manual operators, manual operator, manual product, documentation manual, user maintenance, brochure, user reference, pdf manual