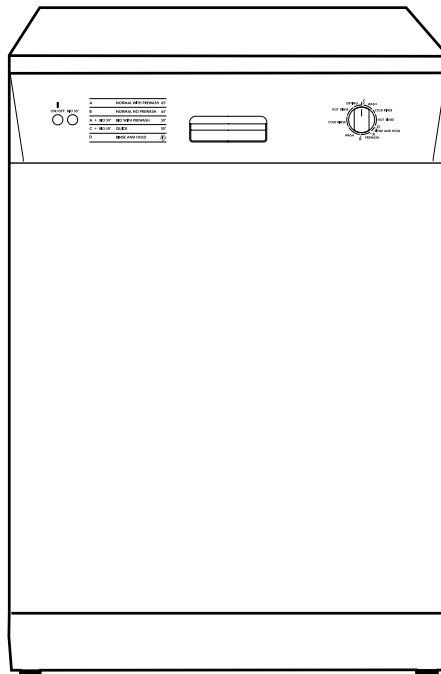


**AEG**

# FAVORIT 5041

Dishwasher



Operating instructions

## Dear Customer

Please read these user instructions carefully.

Above all please observe the safety instructions on the first few pages of these user instructions! Please keep these user instructions for later reference. Pass them on to any subsequent owner of the appliance.



The warning triangle and/or specific words (Warning!, Caution!, Important!) are used to highlight instructions that are important for your safety or for the function of the appliance. It is imperative that these instructions are observed.

The numbered instruction steps lead you step by step through the operation of the appliance.



Next to this symbol you receive additional information and practical tips on using the appliance.



Tips and instructions for the economical and environmentally friendly use of the appliance are marked with a clover leaf.

In the event of a malfunction, these operating instructions contain information on how to rectify faults yourself, see "What to do, if..." section.

For further assistance contact your local AEG Service Force Centre, see the chapter "Service & Spare Parts".

Printed on paper manufactured with environmentally sound processes.  
He who thinks ecologically acts accordingly...

# Contents

<b>Safety instructions</b>	4
<b>Disposing of packaging and old machines</b>	6
Disposing of the packaging	6
Disposing of your old machine	6
Economical and ecological dishwashing	6
<b>Description of the appliance</b>	7
The inside of the appliance	7
Control panel	7
<b>Before use</b>	8
Before using your dishwasher for the first time	8
Setting the water hardness range	8
Filling with special salt	9
The rinse aid	10
<b>Loading cutlery and dishes</b>	12
The cutlery basket	13
The lower basket	13
The upper basket	14
Adjusting the height of the upper basket	15
Use of detergent	16
Bio programmes and compact powders	17
<b>Washing programmes</b>	18
<b>Operating instructions</b>	20
<b>Maintenance and cleaning</b>	22
Internal and external cleaning	22
Cleaning the filters	22
<b>What do do, if...</b>	24
<b>Service &amp; Spare Parts</b>	26
<b>Guarantee Conditions</b>	27
<b>European Guarantee</b>	28
<b>Hints for test centres</b>	29
<b>Technical data</b>	30
<b>Installation and connection instructions</b>	31
Fitting under a counter	31
Levelling	31
Connecting to the water supply	32
Water outlet connection	32
Protection against flooding	33
Electrical connection	34



## Safety instructions

The safety of AEG electrical appliances conforms to accepted rules of technology and the Appliance Safety Act. We as manufacturers, however, see ourselves as being obliged to familiarise you with the following safety instructions.

### Using your dishwasher for its intended purpose

- Only use your dishwasher for machine washing of household crockery. If your machine is misused or used for any purposes other than that for which it is intended, the manufacturer cannot be held liable for any damage caused.
- For safety reasons, you should not convert or modify your dishwasher in any way.

### Before using your dishwasher for the first time

- Check your dishwasher for any transport damage. Never connect a damaged machine. If your dishwasher is damaged, you should contact your supplier.
- Your dishwasher must be correctly installed and connected. Please read the section on "Installation" to make sure you know all about this.
- Before using your dishwasher for the first time, do not forget that the nominal voltage and current type indicated on the rating plate of your machine must be the same as the nominal voltage and current type at the installation site. The necessary electrical fusing is also given on the rating plate.

### Child safety

- Packaging parts (e.g. foils, styrene foam) may be dangerous for children, who could be suffocated! You should therefore keep all packaging well away from children.
- Children may not recognise the dangers of improper use of electrical appliances. You should therefore ensure proper supervision during operation and not allow your children to play with your dishwasher.
- Detergents may have a caustic effect on eyes, mouth and throat and may even cause suffocation! Keep all detergents in a safe place out of children's reach.
- The water in your dishwasher should not be used for drinking. Detergent residues may still be present in your machine. Keep children well away from your dishwasher when its door is open.

## Your dishwasher in day-to-day use

- Never operate your dishwasher if the electrical supply lead, inlet hose or drain hose, control panel, worktop or plinth are damaged.
- If there is a fault, first turn the water tap off. Then switch off your machine and pull the plug out of the socket. If there is a fixed connection, switch off or unscrew the fuse(s).
- Never pull the plug out of the socket by the cable - always hold the plug.
- Dishwasher repairs should only be performed by trained personnel. Improper repairs may seriously endanger the user. If your dishwasher needs to be repaired, you should contact your local AEG Service Force Centre or your retailer.
- Never place any solvents in your dishwasher or you may cause an explosion!
- Do not rest or sit on the open door as the machine could tilt.
- Before using special dishwasher salt, detergent or rinse-aid, make sure that the manufacturer of these products expressly specifies their use in domestic dishwashers.
- Always turn off the water tap when your dishwasher is left unattended for any length of time, e.g. when you are away on holiday.
- Only transport the dishwasher in an upright position. Tipping it upside down during transport could cause salty water to leak into the internal compartment and lead to the formation of rust.

# Disposing of packaging and old machines

## Disposing of the packaging

Our dishwashers require effective protective packaging in transit, though we always confine ourselves to what is absolutely necessary.



**Warning!** Packaging parts (e.g. foils, styrene foam) may be dangerous for children and can cause suffocation. You should therefore keep all packaging well away from children.

All packaging materials used are environmentally compatible and reusable. The cardboard parts are produced from recycled paper, and the wood is untreated.

The plastics are marked as follows:

>PE< for polyethylene, e.g. packaging foils.

>PS< for polystyrene, e.g. padding (essentially CFC-Free).

>POM< for polyoxymethylene, e.g. plastic clamps.

Give the packaging for reuse to your local recycling centre. Your local Council will give you its address.

## Disposing of your old machine

When your machine finally reaches the end of its life and you withdraw it from service, you should render it unserviceable before having it disposed of.



**Warning!** Children at play could lock themselves in your machine (and suffocate) or otherwise endanger their lives. Therefore pull out the main plug and detach and discard the electrical supply lead. Disable the door lock so that the door no longer closes.

Marking of plastic parts for graded recycling: all plastic parts in your machine are marked with internationally standardised abbreviations (e.g. <PS> for polystyrene). When your machine is disposed of, this enables plastic waste to be sorted into individual types for environmentally conscious recycling.

Check with your local Council or Environmental Health Office to see if there are facilities in your area for recycling the appliance.



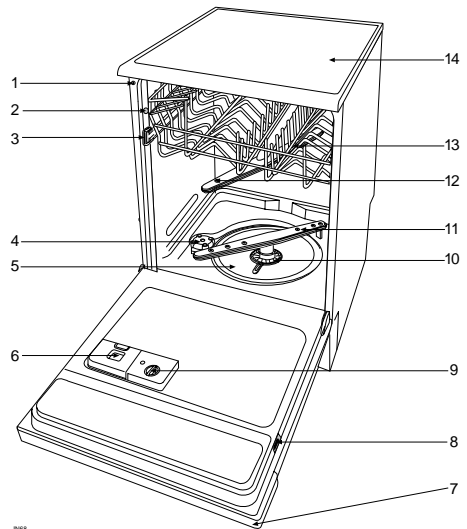
## Economical and ecological dishwashing

- Ensure that the water softener is correctly adjusted.
- Do not pre-rinse under running water.
- Select the wash programme to suit the nature and degree of the soiling on the dishes.
- Do not use more detergent, special salt or rinse aid than is recommended in these operating instructions and by the manufacturer of the respective product.

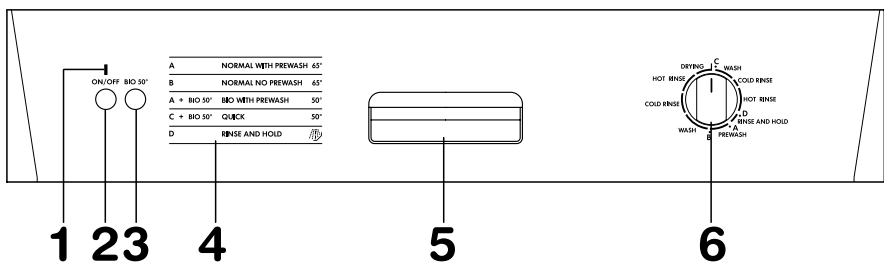
# Description of the appliance

## The inside of the appliance

1. Water hardness adjustment
2. Levelling spacers
3. Upper basket stop
4. Salt container
5. Large filter
6. Detergent dispenser
7. Control panel
8. Rating plate
9. Rinse aid dispenser
10. Central filter
11. Lower spray arm
12. Upper spray arm
13. Upper basket
14. Worktop



## Control panel



- |                           |                            |
|---------------------------|----------------------------|
| 1. ON/OFF indicator light | 4. Programme guide         |
| 2. ON/OFF push button     | 5. Door handle             |
| 3. BIO 50° push button    | 6. Programme selector dial |

# Before use

## Before using your dishwasher for the first time

1. Ensure that the electrical and water connections comply with the installation instructions.
2. Remove all packaging from inside the appliance.
3. Set the water softener.
4. Pour 1 litre of water inside the salt container and then fill with salt.
5. Fill the rinse-aid dispenser.
6. Run a "Rinse and Hold" programme.

## Setting the water hardness range

The dishwasher is equipped with a water softener designed to remove minerals and salts from the water supply, which would have a detrimental or adverse effect on the operation of the appliance.

The higher the content of these salts, the harder your water is.

Water hardness is measured in equivalent scales, German, French degrees and PPM (parts per Million).

The softener should be adjusted according to the hardness of the water in your area. Your local Water Authority can advise you on the hardness of the water in your area.

The dishwasher is factory set at level 2.

If this level is not suitable for your area the softener should be adjusted.

Water hardness			Level	Use of salt
°dH (german degrees)	°TH (french degrees)	PPM (parts per million)		
0 - 4	0 - 8	0 - 80	0	NO
5 - 11	9 - 20	81 - 200	1	YES
12 - 22	21 - 40	201 - 400	2	YES
23 - 34	41 - 60	401 - 600	3	YES
35 - 45	61 - 80	601 - 800	4	YES
46 - 50	81 - 90	801 - 900	5	YES



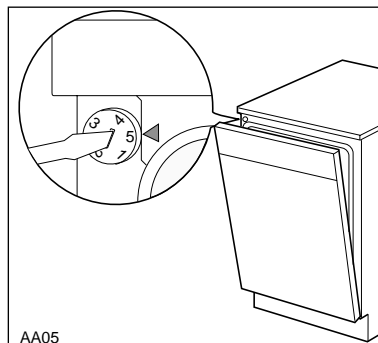
If your water hardness is level 0 it is already soft and therefore there is no need to use salt.

In this case adjust the water softener on level 1 without using salt.



## To adjust the water softener

With a screwdriver turn the selector on the upper front corner of the machine until the level required corresponds with the marker.



## Filling with special salt

**Caution!** The packaging of dishwasher salt and detergents are often very similar. The accidental filling of the salt compartment with detergent would ruin the water softener. Each time you add salt, make sure the carton you have in your hand really is salt.



**Only use salt specifically designed for use in dishwashers.**

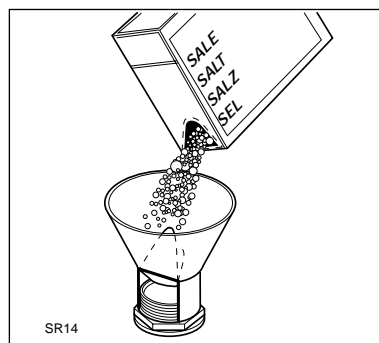
**All other types of salt not specifically designed for use in a dishwasher, especially table salt, will damage the water softener.**

**Only fill with salt just before starting one of the washing programmes.**

**This will prevent any grains of salt or salty water, which may have been spilled, remaining on the bottom of the machine for any period of time, which may cause corrosion.**

## To fill:

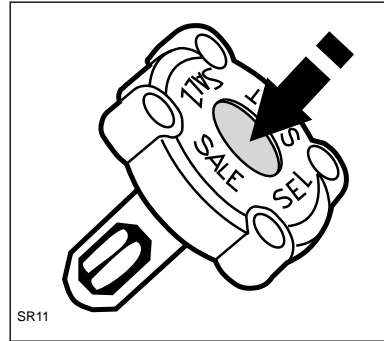
1. To fill with salt, unscrew the cap of the salt container.
2. **Pour 1 litre of water inside the container (this is necessary only before filling with salt for the first time).**
3. Using the funnel provided, pour in the salt until the container is full.  
Do not worry if water overflows from the unit when filling with salt, this is quite normal.
4. Replace the cap making sure that there is no trace of salt on the screw thread or on the gasket.
5. Screw on the cap tightly.



When this has been done, all that is required is to periodically top up the container with salt.

The salt cap has a refill indicator window in the centre.

A **green float** is clearly visible when there is salt inside the container and almost disappears when the salt has finished reminding you to add salt.



## The rinse-aid

The rinse-aid ensures brilliant crockery and also helps it to dry. It is automatically dosed in during the hot rinsing cycle. The storage compartment built in to the inside of the door can hold about 110 ml of rinse-aid, which will be sufficient for between 16 and 40 dishwashing programmes, according to the dosage setting.

### Filling up the rinse-aid

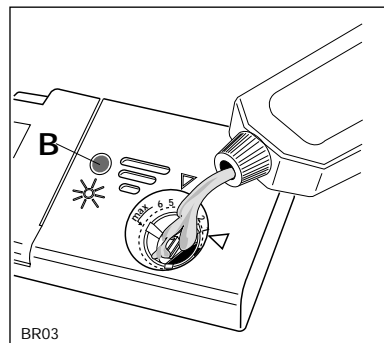
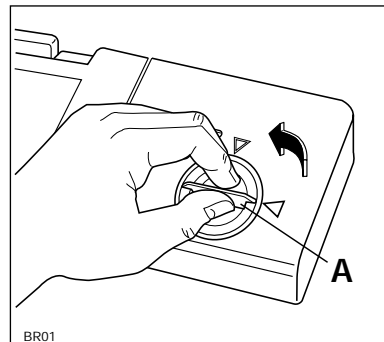
1. Open the container by turning the lid (A) anticlockwise.
2. Add the rinse aid until the container is completely full. The indicator (B) will be completely dark.

Ensure that the lid is closed after every refill.

Top up with rinse aid when the indicator (B) becomes clear.

Clean up any rinse aid spilt during filling with an absorbent cloth to avoid excess foaming during the next wash.

**Attention! Do not put liquid detergent in the rinse aid compartment.**

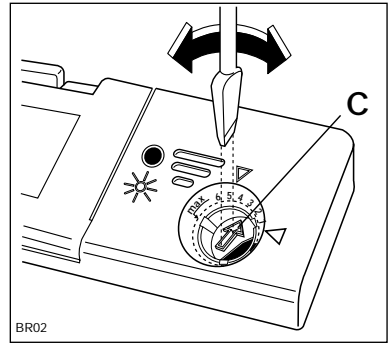


## Adjusting the dose

The correct dosage of the rinse-aid should be regulated on the basis of the shine and drying results.

For this purpose, set the quantity of liquid by means of the six-position selector (C) located on the inside of the filler opening (minimum quantity is position 1, maximum quantity is position 6).

Use the tip of a screwdriver to rotate the selector. If drops of water or white marks remain on the crockery after it has been washed, increase the dosage. If the crockery comes out with whitish, sticky streaks, reduce the dosage.



# Loading cutlery and dishes



Sponges, household cloths and any object that can absorb water must not be washed in the dishwasher.

For washing in the dishwasher the following cutlery/dishes

are not suitable:

- Cutlery with wooden, horn, china or mother of pearl handles.
- Plastic items that are not heat resistant.
- Older cutlery with cement that is not temperature resistant.
- Bonded cutlery items or dishes.
- Pewter or copper items.
- Lead crystal glass.
- Steel items subject to rusting.
- Wooden platters.
- Items made from synthetic fibres.

are of limited suitability:

- Only wash stoneware in the dishwasher if it is specifically marked as being dishwasher-safe by the manufacturer.
- Glazed patterns may fade if machine washed frequently.
- Silver and aluminium parts have a tendency to discolour during washing. Left-overs, e.g. egg white, egg yolk and mustard often cause discolouring and staining on silver. Therefore always clean left-overs from silver immediately, if it is not to be washed straight after use.
- Some types of glass can become dull after a large number of washes.

## Attention!

When buying new dishes, ensure that they are dishwasher safe.

Before placing dishes in the machine, remove any scraps of food, to avoid clogging the filters and consequently reducing the performance.



Do not load very small items which can fall through the baskets.

Open the door and slide out the baskets.

## The cutlery basket



Long bladed knives stored in an upright position are a potential hazard.

Long and/or sharp items of cutlery such as carving knives must be positioned horizontally in the upper basket.

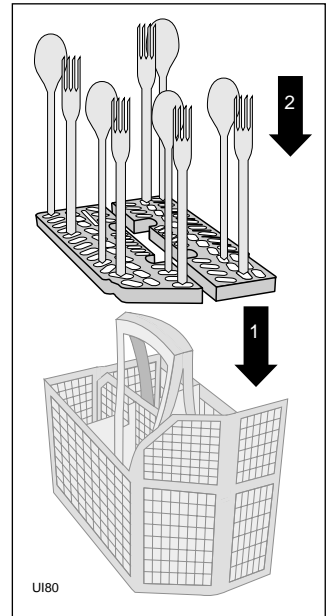
Take care when loading or unloading sharp items such as knives.

Cutlery should be placed in the removable cutlery basket with the handles facing downwards.

If the handles protrude from the bottom of the basket, obstructing the lower spray arm, load the cutlery with the handles facing upwards.

Mix spoons with other cutlery to prevent them from sticking together.

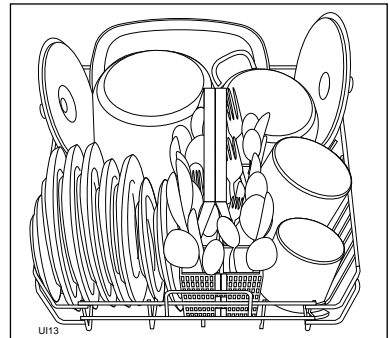
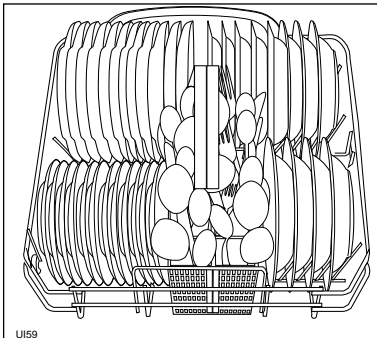
For best results we recommend to use the cutlery grids provided (if the size and the dimensions of the cutlery allow it).



## The lower basket

The lower basket is designed to take saucepans, lids, plates, salad bowls, cutlery etc.

Serving dishes and large lids should be arranged around the edge of the basket, ensuring that the upper spray arm can turn freely.



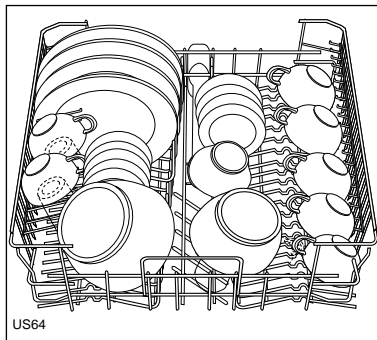
## The upper basket

The upper basket is designed for plates (dessert plates, saucers, dinner plates up to 25 cm in diameter), salad bowls, cups and glasses; these should be arranged as shown in the pictures.

Glasses with long stems can be placed upside-down in the cup racks.

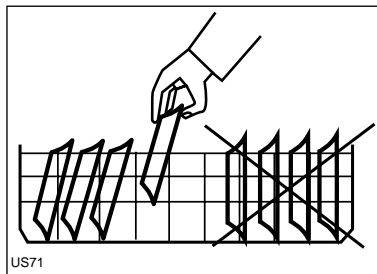
Arrange items on and underneath the cup racks so that water can reach all surfaces.

Light items (plastic bowls etc.) should be loaded in the upper basket and arranged so they do not move.



### In case that plates are loaded in the upper basket:

*load them starting from the rear positions of the basket; tilting them slightly forwards and avoiding the front positions near the door.*



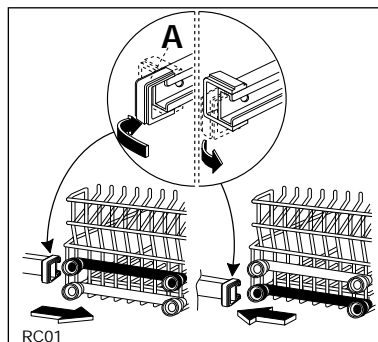
Before closing the door, ensure that the spray arms can rotate freely.

## Adjusting the height of the upper basket

If washing very large plates (over 27 cm and up to 32 cm in diameter) you can load them in the lower basket after moving the upper basket to the higher position.

To move to the higher position proceed as follows:

1. Move the front runner stops (A) of the upper basket outwards and slide the basket out.
2. Refit the basket in the higher position and replace the stops (A) in their original position.



### Attention!

When the top basket is in the higher position it will only take plates up to 20 cm in diameter and you will not be able to use the cup racks.



After loading your machine always close the door, as an open door can be a hazard.

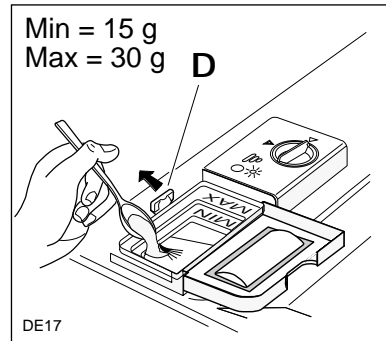
## Use of detergent

### Attention!

Only use detergents specifically designed for use in dishwashers.

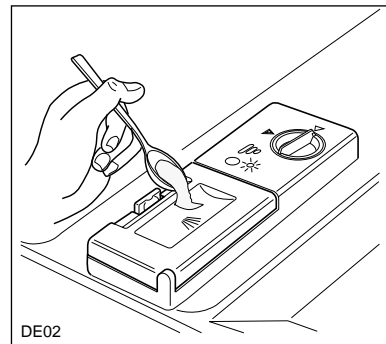
If using powder detergents proceed as follows:

1. Open the dispenser lid by pulling the catch (D).
2. Add the detergent according to the recommended quantity given in the "Washing programmes" chart.
3. Always close the lid.
4. If the programme has a prewash add the required detergent over the lid of the dispenser. Follow the recommended quantity of detergent given in the "Washing programmes" chart.



If using detergent in tablets proceed as follows:

1. For all programmes; place 1 tablet inside the detergent dispenser.
2. Always close the lid.
3. For all programmes with prewash; place a portion of a further tablet on the lid of the detergent dispenser.



At the end of any washing programme the lid is always open, ready for the next wash.

### Attention!

Since not all detergents are the same, you should also consult the instructions on the packet.





Remember that insufficient quantities of detergent will produce poor washing results whereas an excessive amount of detergent does not improve washing results and is also wasteful.

Using no more than the correct amount of detergent also contributes to reducing pollution.

## BIO programmes and compact powders

On the basis of their chemical composition, dishwasher detergents can be classified into two groups:

- conventional, alkaline detergents with caustic components:
- low-alkaline compact powders with natural enzymes.

The enzymes in low-alkaline compact powders have a dirt-dissolving effect and are also biodegradable. These enzymes deploy their full dirt-dissolving power within a temperature range of 40-50°C. In BIO washing programmes, the temperature range and duration of the heating phases are precisely matched to the dirt-dissolving properties of the enzymes.

In combination with low-alkaline compact powders, BIO washing programmes, at a temperature as low as 50°C, therefore achieve the same cleaning results that would otherwise be achievable only with 65°C programmes.

The lack of any caustic components in low-alkaline compact powders and the lower cleaning temperature of BIO washing programmes are not only environmentally friendly, but also care for your crockery.

# Washing programmes

Programmes	Type of soil Type of load	Starting position of the programme selector	Required push buttons
<b>NORMAL 65° WITH PREWASH</b>	Normal soil. Crockery and cutlery	<b>A</b>	<b>ON/OFF</b>
<b>NORMAL 65° NO PREWASH</b>	Light soil. Crockery and cutlery	<b>B</b>	<b>ON/OFF</b>
<b>* BIO 50° WITH PREWASH</b>	Normal soil. Crockery and cutlery	<b>A</b>	<b>BIO 50° + ON/OFF</b>
<b>** QUICK 50°</b>	Light soil. Crockery and party crockery	<b>C</b>	<b>BIO 50° + ON/OFF</b>
<b>RINSE AND HOLD</b>	Partial load to be completed later in the day. This programme does not require detergent.	<b>D</b>	<b>ON/OFF</b>

\*\* Testing programme for EN 50242 (see "Hints for Test Centres").

\*\* This is a quick wash programme for a full load of lightly soiled dishes, glasses and crockery (except pots) so that you may re-use them promptly. Due to the shortness of this programme, no drying phase is provided.

Cycle description	Recommended quantity of detergent		Approximate values *		
	wash	prewash	Programme duration in minutes	Energy consumption in kWh	Water consumption in litres
Cold prewash Main wash up to 65°C 1 cold rinse 1 hot rinse Active drying	25 g	5 g	91 - 101	1,4	19
Main wash up to 65°C 1 cold rinse 1 hot rinse Active drying	30 g	/	83 - 93	1,4	16
Cold prewash Main wash up to 50°C 1 cold rinse 1 hot rinse Active drying	25 g	5 g	91 - 101	1,24	19
Main wash up to 50°C 1 cold rinse 1 hot rinse	30 g	/	33 - 43	1,1	16
1 cold rinse (to avoid food scraps from sticking to the dishes).	/	/	8	0,1	10

\* The times and consumption values are intended as a guide, and depend on the pressure and temperature of the water and also by the variations of the power supply.

# Operating instructions

## 1. Check the filters

Ensure they are clean and properly positioned (see "Maintenance and cleaning").

## 2. Check that there is rinse aid and salt

## 3. Load the dishes

Remove any scraps of food.

Pull the lower basket out and arrange the saucepans, plates and cutlery in it.

Pull the upper basket out and arrange the plates, saucers, glasses and cups etc. in it.

Slide the baskets back into the machine.

## 4. Ensure that the spray arms can rotate freely.

## 5. Measure out detergent

Add the detergent into the dispenser according to the dosage quantity given in the "Washing programmes" chart.

Close the detergent dispenser lid.

## 6. Close the dishwasher door

## 7. Set the programme

Turn programme selector dial clockwise until the programme marker on the knob corresponds with the programme you wish to select on the control panel.

Select the temperature according to the instructions in the "Washing programmes" chart (see "Required push buttons").

## 8. Start the programme

Open the water tap.

Depress the ON/OFF push button, the ON/OFF indicator light will come on and the machine will start.

## 9. At the end of the washing programme

The dishwasher will automatically stop.

The ON/OFF indicator light remains on until the ON/OFF push button is depressed.

## 10. Switch off the dishwasher

Switch off the dishwasher by pressing the ON/OFF push button.

Wait 15/20 minutes before opening the dishwasher's door; in this way you will avoid burning yourself when removing the dishes and avoid also the damage of the nearby furniture caused by the escape of steam.

Empty the lower basket first and then the upper one, this will avoid water dripping from the upper basket onto the dishes in the lower one.

When the wash programme has finished, it is recommended that the dishwasher is unplugged and the water tap turned off.

## Interrupting a programme

- A programme underway is interrupted when you open the door.
- Close the door again. The programme will start again at the point it was interrupted.



### Caution!

In general it is not advisable to open the door while the machine is working; if the door is opened however, a safety device ensures that the machine stops.



### Caution!

Opening the door could let very hot steam escape: you risk being scalded! Open the door with great care.

Do not open the door during the hot phase: this may cause hot water to escape.

# Maintenance and cleaning

## Internal and external cleaning



Do not under any circumstances use furniture care products or aggressive cleaners.

If necessary, clean the controls only with a soft cloth and clean warm water.

The spray arms do not need cleaning.

Occasionally check the internal containers, door seal and water inlet for soiling, clean if necessary.

We recommend every 3 months to run a 65°C wash programme without dishes using detergent.

## Cleaning the filters

(after each wash)

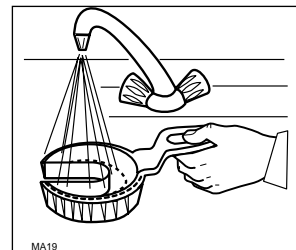
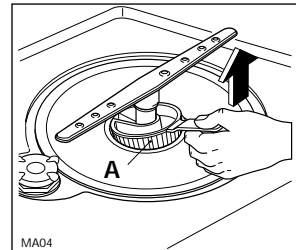


Scraps of food may accumulate in the drain filter (A) and should be removed by rinsing the filter under running water.

### To remove the drain filter

- simply pull it out by the handle

Once cleaned, refit the filter by pushing it back to its original position until it engages.



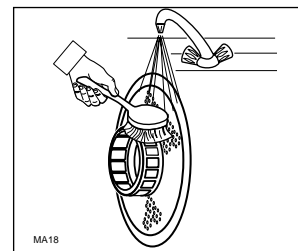
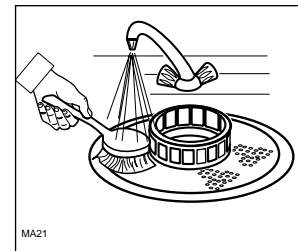
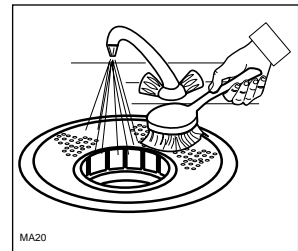
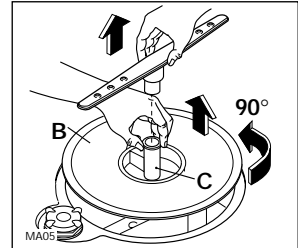
# Cleaning the large filter

(every week)

If necessary clean the large filter (B) on the both sides under running water, using a brush.

## To remove the large filter

1. Remove the spray arm by pulling it upwards on one side.
2. Turn the column (C) anticlockwise by 90° and then slide out the filter.
3. Once cleaned refit it following the above instructions in reverse order.
4. Ensure the filter is in its original position, the handle of the drain filters should be pointing towards the front of the appliance.



**Under no circumstances must the dishwasher be used without filters.**

# What to do, if...

Certain problems are due to lack of simple maintenance or oversights, which can be solved easily without calling out an engineer.

Before contacting your local Service Force Centre, please carry out the checks listed below.

**Important:** If you call out an engineer to a fault listed below or to repair a fault caused by incorrect use or installation a charge will be made even if the appliance is in guarantee.

Symptom	Possible cause	Remedy
...the programme does not start	The door has not been properly closed.	Close the door.
	The plug is not properly inserted in the power socket.	Insert the plug.
	There is a power failure.	Check the fuse.
...the machine does not fill with water	The water tap is closed.	Open the water tap.
	The mains water supply has been cut off.	Wait for the supply to be restored.
	The inlet hose may be squashed or bent.	Reposition the hose correctly.
	The inlet hose may be blocked.	Switch off the water supply and clean the filter.
...the machine will not drain	The drain hose may be squashed or bent. The drain hose extension is not correct.	Reposition the drain hose correctly. Follow the instructions for connecting to the waste.
	The sink may be blocked.	Clear any blockages.
...the machine is noisy	Dishes are rattling against each other. The spray arms are knocking against the dishes.	Load correctly crockery, cutlery, pots and pans. Refer to "Loading cutlery and dishes"
...the door is difficult to close	The dishwasher is not level, or not properly built-in.	Refer to "Installation" instructions.

Once you have checked the possible causes listed above, switch on the dishwasher and start a wash programme, if the fault persists contact the Service Force Centre.



## **...the wash results are not satisfactory**

### **Visible lime deposits or white film on the dishes**

- Check that the right level of the water softener is set.
- Check that there is salt.

### **The dishes are not quite dry**

- The rinse aid has run out or too little is being used.

### **The dishes are not clean**

- The baskets are too full.
- The dishes have not been arranged properly.
- The spray arms do not rotate because of incorrect loading of the baskets.
- The filters are clogged.
- The filters are not in position.
- Not enough detergent has been used or it is unsuitable.
- The detergent is old or has gone hard.
- The salt container cap is not properly closed.
- The washing programme is too gentle.

# Service & Spare Parts

In the event of your appliance requiring service, or if you wish to purchase spare parts, contact your local AEG Service Force Centre by telephoning

**08705 929 929**

Your call will be automatically routed to the Service Centre covering your post code area.

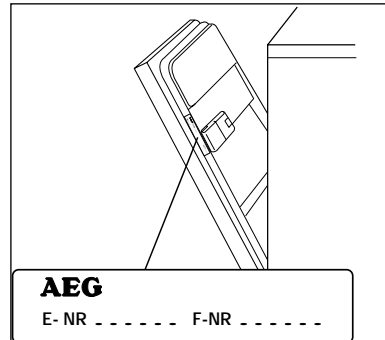
## Help us to help you

Please determine your type of enquiry before writing or telephoning. When you contact us we need to know,

- 1 Your name, address and post code
- 2 Your telephone number
- 3 Clear and concise details of the fault code
- 4 Date of purchase
- 5

- E-NR (product number)
- F-NR (serial number)

This information can be found on the rating plate located on the right inside edge of the door.



## Customer Care

For general enquiries concerning your AEG appliance, or for further information on AEG products, you are invited to contact our Customer Care Department by letter or telephone at the address below or visit our website at [www.aeghome.co.uk](http://www.aeghome.co.uk)

Customer Care Department  
AEG  
55-77 High Street  
Slough  
Berkshire  
SL1 1DZ

Tel.: 08705 350 350 (\*)

\* calls to this number may be recorded for training purposes

# Guarantee Conditions

AEG offer the following guarantee to the first purchaser of this appliance:

1. The guarantee is valid for 12 months commencing when the appliance is handed over to the first retail purchaser, which must be verified by purchase invoice or similar documentation.  
The guarantee does not cover commercial use.
2. The guarantee covers all parts or components which fail due to faulty workmanship or faulty material. The guarantee does not cover appliances where defects or poor performance are due to misuse, accidental damage, neglect, faulty installation, unauthorised modification or attempted repair, commercial use or failure to observe requirements and recommendations set out in the instruction book.  
This guarantee does not cover such parts as light bulbs, removable glassware or plastic.
3. Should guarantee repairs be necessary the purchaser must inform the nearest customer service office (AEG's service or authorised agent). AEG reserves the right to stipulate the place of the repair (i. e. the customer's home, place of installation or AEG workshop).
4. The guarantee or free replacement includes both labour and materials.
5. Repairs carried out under guarantee do not extend the guarantee period for the appliance. parts removed during guarantee repairs become the property of AEG.
6. The purchaser's statutory rights are not affected by this guarantee.

# European Guarantee

If you should move to another country within Europe then your guarantee moves with you to your new home subject to the following qualifications:

- The guarantee starts from the date you first purchased your product.
- The guarantee is for the same period and to the same extent for labour and parts as exist in the new country of use for this brand or range of products.
- This guarantee relates to you and cannot be transferred to another user.
- Your new home is within the European Community (EC) or European Free Trade Area.
- The product is installed and used in accordance with our instructions and is only used domestically, i. e. a normal household.
- The product is installed taking into account regulations in your new country.

Before you move please contact your nearest Customer Care Centre, listed below, to give them details of your new home. They will then ensure that the local Service Organisation is aware of your move and able to look after you and your appliances.

France	Senlis	+33 (0)3 44 62 29 29
Germany	Nürnberg	+49 (0)911 323 2600
Italy	Pordenone	+39 (0)1678 47053
Sweden	Stockholm	+46 (0)8 738 79 10
UK	Slough	+44 (0)1753 219899
Ireland	Dublin	+353 (0)14090753

# Hints for test centres

Before starting any test it is necessary to fill completely with salt the salt container and with rinse aid the rinse aid dispenser.

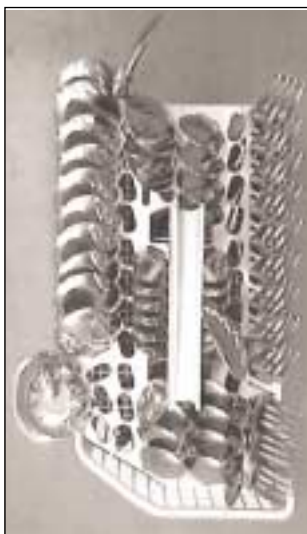
Test standard	EN 50242
Reference programme	- BIO 50° WITH PREWASH
Load	12 standard place settings
Rinse aid selector	position 5
Detergent dosage	- 25 g in the dispenser - 5 g on the dispenser lid



Arrangement upper basket



Arrangement lower basket



Arrangement cutlery basket

# Technical data

## Technical specifications

Dimensions	Width	60 cm
	Height with worktop	85 cm
	Height without worktop	82 cm
	Max depth	61 cm
	Max depth with open door	115,2 cm
Electrical connection	220/240 V - 50 Hz	
Motor rating during wash	200 W	
Power of heating element	2100 W	
Overall power	2300 W	
Water supply pressure	Minimum	50 kPa (0.5 bar)
	Maximum	800 kPa (8 bar)
Capacity	12 place settings	



This appliance complies with the following E.E.C. Directives:

- 73/23/CEE of 19/02/73 (Low Voltage Directive) and subsequent modifications;

- 89/336/CEE of 03/05/89 (Electromagnetic Compatibility Directive) and subsequent modifications.

# Installation and connection instructions

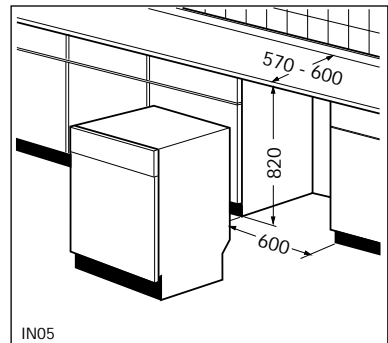
## Fitting under a counter

(kitchen worktop or sink)

By removing the machine's worktop, you can install it under a close fitting sink unit or a pre-existing top, providing the dimensions of the recess correspond to those shown in the picture.

**Proceed as follows:**

- Remove the machine's worktop by unscrewing the two rear retaining screws, pull from the front and slide out the rear slots, lifting the worktop.



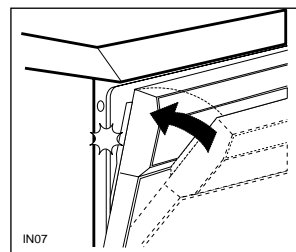
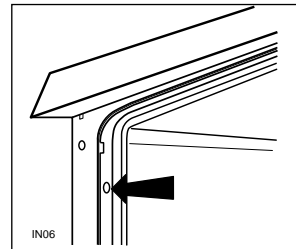
Insert the machine after adjusting height and levelling with the adjustable feet. When inserting the machine, ensure that the water inlet and drain hoses are not kinked or squashed.

## Levelling

Good levelling is essential for correct closure and sealing of the door.

When the appliance is correctly levelled, the door will not catch on the levelling spacers on either side of the cabinet.

If the door does not close correctly, loosen or tighten the adjustable feet until the machine is perfectly level.



## Connecting the water supply

- Your dishwasher should be connected to a cold water supply.
- **Never connect** your dishwasher to open hot water appliances and continuous flow heaters!

We advise you use a cold water supply because a hot water supply is not always efficient with very soiled crockery as it shortens the washing programmes.

Avoid bends or kinks in the hose which could prevent or slow down the water supply.

If the machine is connected to new pipes or pipes which have not been used for a long time, you should run the water for a few minutes before connecting the inlet hose. This will prevent deposits of sand or rust clogging the inlet hose.

The water pressure must be within the limits given in the technical specifications.

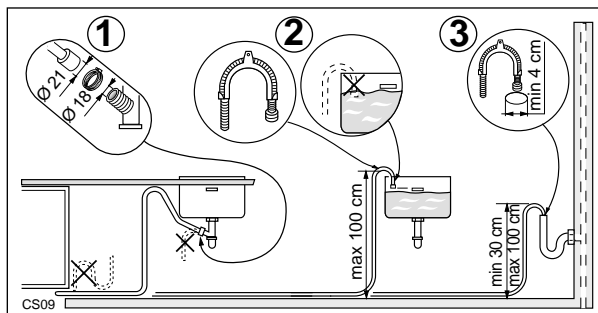
Your dishwasher has been built in accordance with the valid regulations governing water-consuming appliances and is equipped with safety devices which prevent used water from flowing back into the drinking water mains.

Do not use, for connection, old hoses which been used in another appliance.

## Water outlet connection

The end of the drain hose can be connected as follows:

1. To the sink outlet siphon, securing it if necessary with a clip.
2. Hooked over the edge of the sink using the special curved plastic guide provided.
3. To a wall outlet provided with vent-hole, minimum internal diameter 4 cm.



The waste connection must be at a height of between 30 cm (minimum) and 100 cm (maximum) from the floor.

It makes no difference which way the drain hose faces, either to the right or left of the dishwasher.

Avoid bending or kinking the hose as this could prevent or slow down the discharge of water.



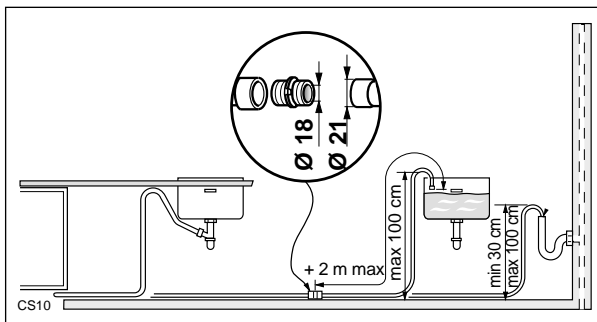
## Extension hoses

The necessary extension hoses can be obtained from specialist shops or from your local Service Force Centre.

The extension hose must be no longer than 2 metres and its internal diameter must be no smaller than the diameter of the hose provided.

Likewise the internal diameter of the couplings used for connection to the waste outlet must be no smaller than the diameter of the drain hose.

Arrange the extension hose horizontally along the floor and allow it to rise only where it is to be connected to the drain.



## Protection against flooding

The machine is fitted with a device in the bottom of the machine to protect against flooding. The device will operate if there are any water leaks in the machine however it will only operate if the machine is on.

In case of intervention, turn off the water tap and call the Service Force Centre.

## Electrical connection

If the plug that is fitted to your appliance is not suitable for the socket, it must be cut off and the appropriate plug fitted.

### Important!

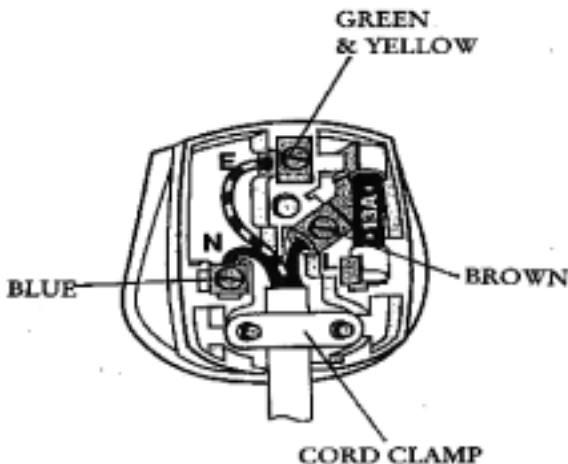
The wires on the mains lead are coloured in accordance with the following code:

Green and Yellow	-Earth
Blue	-Neutral
Brown	-Live

If you fit your own plug, the colours of the wires in the mains lead of your appliance may not correspond with the markings identifying the terminals in your plug.

### Proceed as follows:

1. Connect the Green and Yellow (earth) wire to the terminal in the plug which is marked with the letter "E" or the earth symbol  $\oplus$  or coloured green and yellow.
2. Connect the Blue (neutral) wire to the terminal in the plug which is marked with the letter "N" or coloured black.
3. Connect the Brown (live) wire to the terminal in the plug which is marked with the letter "L" or coloured red.



The plug moulded onto the lead incorporates a 13amp BSI362 fuse. Only ASTA or BSI fuses should be used.

The plug must not be used if the fuse cover/carrier is lost. The cover/carrier is indicated by the coloured insert at the base of the product.

A replacement cover/carrier must be obtained from your local Service Force Centre.



**This appliance must be earthed.**

**The manufacturer declines any responsibility should this safety measure not be observed.**



**Warning!**

**A cut-off plug inserted into a 13amp socket is a serious safety (shock) hazard. Ensure that the cut-off plug is disposed of safely.**



**From the Electrolux Group. The world's No.1 choice.**

*The Electrolux Group is the world's largest producer of powered appliances for kitchen, cleaning and outdoor use. More than 55 million Electrolux Group products (such as refrigerators, cookers, vacuum cleaners, chain saws and lawn mowers) are sold each year to a value of approx. 14 billion USD in more than 150 countries around the world.*

AEG Hausgeräte GmbH  
Postfach 1036  
D-90327 Nürnberg

<http://www.aeg.hausgeraete.de>

© Electrolux Household Appliances Limited 2001



152976 17/1

**This file has been downloaded from:**

[www.UsersManualGuide.com](http://www.UsersManualGuide.com)

User Manual and User Guide for many equipments like mobile phones, photo cameras, mother board, monitors, software, tv, dvd, and othes..

Manual users, user manuals, user guide manual, owners manual, instruction manual, manual owner, manual owner's, manual guide, manual operation, operating manual, user's manual, operating instructions, manual operators, manual operator, manual product, documentation manual, user maintenance, brochure, user reference, pdf manual