

ARCTIS



U 86050-4 I

Freezer
Operating Instructions

PERFEKT IN FORM UND FUNKTION

Dear customer,

Before placing your new refrigerator/freezer into operation please read these operating instructions carefully. They contain important information for safe use, for installation and for care of the appliance.

Please keep these operating instructions for future reference. Pass them on to possible new owners of the appliance.

These operating instructions are for use with several technically comparable models with varying accessories. Please observe the notes which apply to your model.



Notes which are important for your safety or for the proper functioning of the appliance are stressed with a warning triangle and/ or with signal words (**Warning!**, **Caution!**, **Important!**). Please observe the following carefully.



1. This symbol guides you step by step in the operation of the appliance.
2.



Supplementary information regarding operation and practical applications of the appliance appear after this symbol.



Tips and notes concerning economical and environmentally sound use of the appliance are marked with the cloverleaf.

The operating instructions contain instructions for the correction of possible malfunctions by the user in the section "What to do if ...". If these instructions should not be sufficient, please contact your local Service Force Centre.

Printed on paper manufactured with environmentally sound processes
he who thinks ecologically acts accordingly...

Contents

Important Safety Instructions4
Disposal6
Appliance Packaging Information6
Disposal of old Appliances6
Remove transport packaging7
Installation7
Installation Location7
Grid preparation8
Reversing the door9
Building the appliance in under a worktop10
Fitting the plinth16
Power supply16
Electrical Connection17
Description of the appliance18
View of the appliance18
Prior to Initial Start-Up18
Operating and indicator panel19
Warning system20
Starting up and temperature regulation21
Ice packs21
Switching off the appliance22
Freezing and storing frozen food22
Storage Goods Symbol/Freezing Calendar24
Preparation of Ice Cubes24
Defrosting24
Cleaning and care25
Magnetic door seal26
Energy Saving Tips27
What to do if27
Correcting Malfunctions27
Noises during operation29
Regulations, Standards, Guidelines29
Technical terminology30



Important Safety Instructions

These warnings are provided in the interests of your safety. Ensure you fully understand them before installing or using the appliance. Your safety is of paramount importance. If you are unsure about the meaning of these warnings contact the Customer Care Department for assistance.

Intended use

- The freezer is intended for use in the home. It is suitable for the freezing of fresh food and storing frozen food, as well as for making ice. If the appliance is used for purposes other than those intended or used incorrectly, no liability can be accepted by the manufacturer for any damage that may be caused.
- Alterations or changes to the freezer are not permitted for reasons of safety.
- If you use the freezer in a commercial application or for purposes other than the freezing or frozen storage of foods, the manufacturer accepts no liability for any damages which may occur.

Prior to initial start-up

- Check the appliance for transport damage. Under no circumstance should a damaged appliance be plugged in. In the event of damage, please contact your supplier.
- Ensure that the appliance does not stand on the electrical supply cable. **Important:** if the supply cable is damaged, it must be replaced by authorised service or qualified personnel using a special cable of the same type.

Refrigerant

The refrigerant isobutane (R600a) is contained within the refrigerant circuit of the appliance, a natural gas with a high level of environmental compatibility, which is nevertheless flammable.

- During transportation and installation of the appliance, be certain that none of the components of the refrigerant circuit become damaged.
- If the refrigerant circuit should become damaged:
 - avoid open flames and sources of ignition;
 - thoroughly ventilate the room in which the appliance is situated.

Safety of children

- Packaging (e.g. wraps, polystyrene) can be dangerous for children. There is a risk of suffocation! Keep packaging material away from children!

- Please make old appliances unusable prior to disposal. Pull out the mains plug, cut off the mains cable, break or remove spring or bolt catches, if fitted. By doing this you ensure that children cannot lock themselves in the appliance when playing (there is risk of suffocation!) or get themselves into other dangerous situations.
- Often children cannot recognise the hazards present in household appliances. It is therefore important that you ensure adequate supervision and never let children play with the appliance!

Daily Operation

- Containers with flammable gases or liquids can leak at low temperatures. There is a risk of an explosion! Do not store any containers with flammable materials such as spray cans, fire extinguisher refill cartridges etc in the refrigerator/freezer.
- Bottles and cans must not be placed in the freezer. They can burst when the contents freeze, high carbonate content drinks can even explode! Never store lemonade, juices, beer, wine, sparkling wine etc. in the freezer. Exception: high alcohol content spirits can be stored in the freezer.
- Do not put ice creams or ice cubes in the mouth immediately after removal from the freezer. Very cold ice can freeze to the lips or tongue and cause injury.
- Do not touch frozen food with wet hands. Your hands could stick to the food causing skin abrasions.
- **Warning** - Do not operate any electrical appliances in the refrigerator and/or freezer (e.g. electric ice cream makers, mixers etc.).
- **Warning** - In order not to impair the function of the appliance, never cover or obstruct the ventilation openings.
- **Warning** - Do not damage the cooling circuit.
- **Warning** - Do not use any mechanical devices or other artificial means to speed up defrosting unless they are recommended by the manufacturer.
- Before cleaning the appliance, always switch off the appliance and unplug it, or disconnect from the electricity supply.
- When unplugging always pull the plug from the mains socket, do not pull on the cable.

In case of malfunction

- If a malfunction occurs on the appliance, please look first in the "What to do if ..." section of these instructions. If the information given there does not help, please do not perform any further repairs yourself.

- This product should be serviced by an authorised engineer and only genuine spare parts should be used.
- Under no circumstances should you attempt to repair the appliance yourself. Repairs carried out by inexperienced persons may cause injury or serious malfunctioning. Contact your local AEG Service Force Centre.

Disposal

Appliance Packaging Information

All materials are environmentally sound! They can be disposed of or burned at an incinerating plant without danger.

About the materials: The plastics can be recycled and are identified as follows:

>PE< for polyethylene, e.g. the outer covering and the bags in the interior.

>PS< for polystyrene foam, e.g. the pads, which are all free of chloro-fluorocarbon.

The carton parts are made from recycled paper and should be disposed of at a waste-paper recycling collection location.

Disposal of old Appliances

For environmental reasons, refrigeration appliances must be disposed of properly. This applies to your old appliance, and - at the end of its service life - for your new appliance as well.



Warning! Before disposing of old appliances make them inoperable. Remove plug from mains, sever the power cable, remove or destroy any snap or latch closures. This ensures that playing children do not lock themselves inside the appliance (danger of suffocation!) or place themselves into other life-endangering situations.

Disposal:

- The appliance may not be disposed of with domestic waste or bulky refuse.
- The refrigerant circuit, especially the heat exchanger at the back of the appliance, must not be damaged.
- Information concerning collection schedules or locations can be obtained from your local Council or Environmental Health Office.

Remove transport packaging

The appliance and the interior fittings are protected for transport.

1. Pull off the adhesive tape on the left and right side of the door.
2. Remove all adhesive tape and packing pieces from the interior of the appliance.

Installation

Installation Location

The appliance should be set up in a well ventilated, dry room.

Energy use and efficient performance of the appliance is affected by the ambient temperature.

The appliance should therefore

- not be exposed to direct sunlight;
- not be installed next to radiators, cookers or other sources of heat;
- only be installed at a location whose ambient temperature corresponds to the climate classification, for which the appliance is designed.

The climate classification can be found on the serial plate, which is located at the left on the inside of the appliance.

The following table shows which ambient temperature is correct for each climate classification:

Climate classification	for an ambient temperature of
SN	+10 to +32 °C
N	+16 to +32 °C
ST	+18 to +38 °C
T	+18 to +43 °C

Installation directly under a hob is not allowed. The temperatures of the hob, which in part are quite high, may damage the appliance.

If a hob is installed near the appliance, the corresponding installation and safety instructions must be adhered to. Considering the numerous installation conditions which are possible, there is no way of providing detailed information here.

It is necessary to avoid overheating of the refrigerator by maintaining

adequate distances from heat sources and by the use of a suitable thermal insulation plate. Proper ventilation of the appliance must also be ensured.

Grid preparation

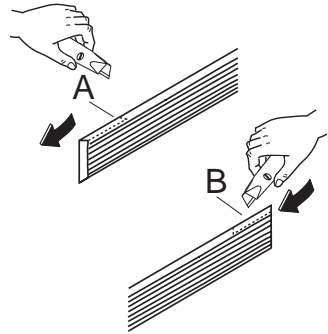
The side at which the door opens can be changed from the right side (as supplied) to the left side, if the installation site requires.



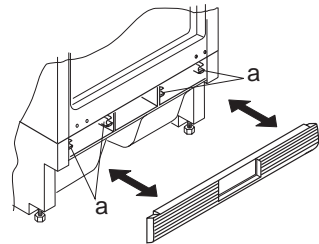
Warning! When changing the side at which the door opens, remove plug from the mains.

Left door opening:

1. Remove the left side (A) of the grid cutting it from the rear (see figure).
2. Remove the right side (B) of the grid cutting it from the rear (see figure).



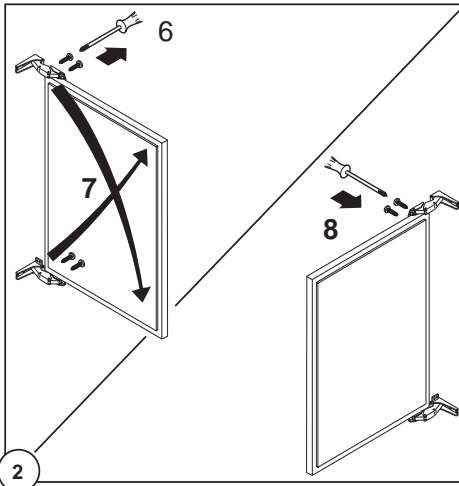
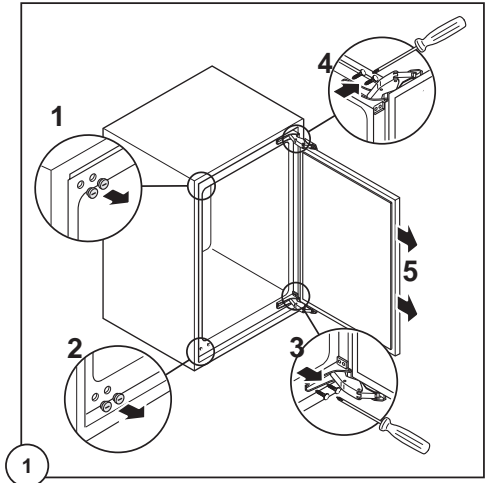
3. Re-install the grid to the base of the appliance by pushing on to the clasps (a) until they click.



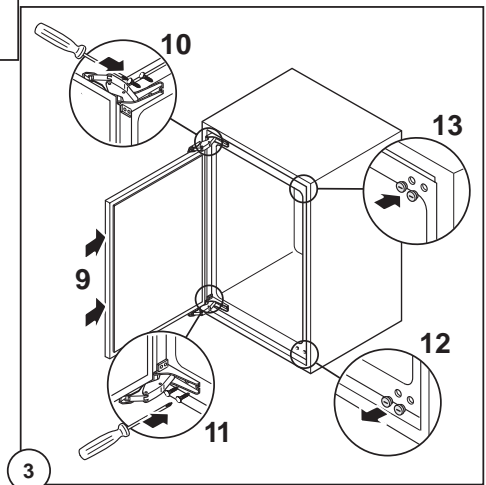
Reversing the door

The side at which the door opens can be changed from the right side (as supplied) to the left side, if the installation site requires.

To reverse the opening direction of the door, proceed as shown in the figures:

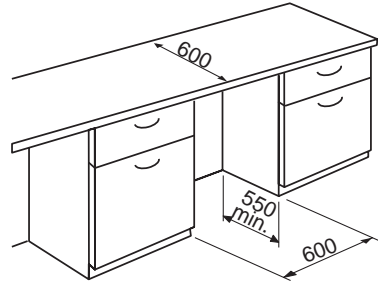


Warning! After completion of the door reversing operation, check that the door gasket adheres to the cabinet. If the ambient temperature is cold (i.e. in Winter), the gasket may not fit perfectly to the cabinet. In that case, wait for the natural fitting of the gasket or accelerate this process by heating up the part involved with a normal hairdryer on a low setting.

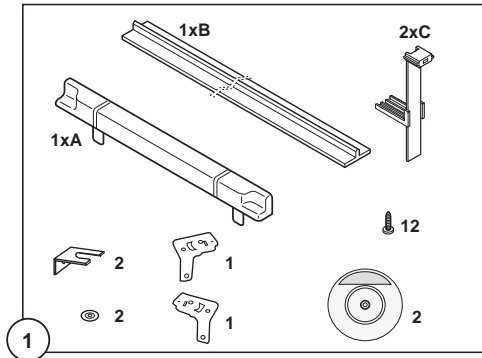


Building the appliance under a worktop

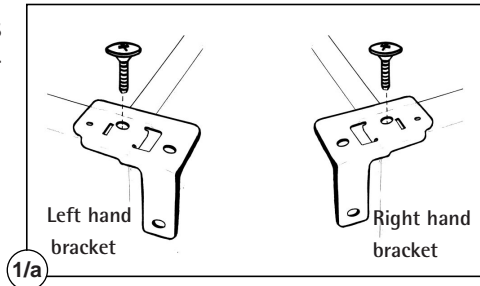
➡ The dimensions of the recessed installation area must correspond with those indicated in the figure.



➡ Installation kit



➡ 1. Two cabinet securing brackets are supplied with the installation pack. They need to be assembled onto the cabinet prior to cabinet being pushed into the Kitchen aperture.

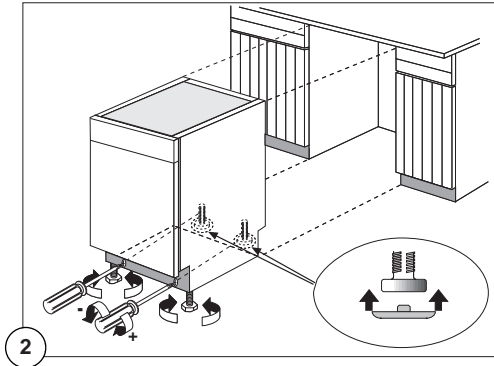


2. To fit these brackets remove the two screws at the top left and right hand front corners of the cabinet.
3. Position the two brackets as shown in the figure and replace the two securing screws.

4. Push the appliance into place. The plug socket necessary for connection of the appliance to the electricity supply should be positioned, so that the plug is not placed in the recess.

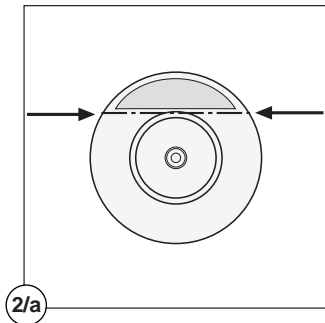
To adjust the height proceed as follows:

5. Loosen or tighten the two front feet.

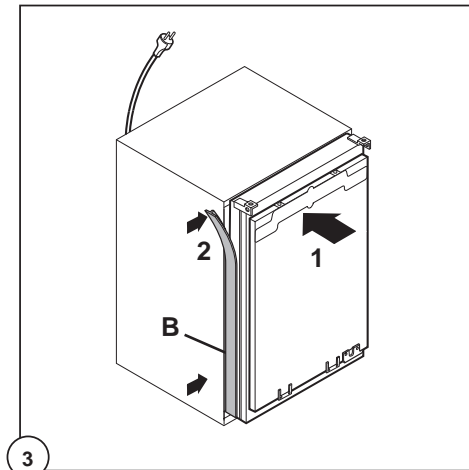


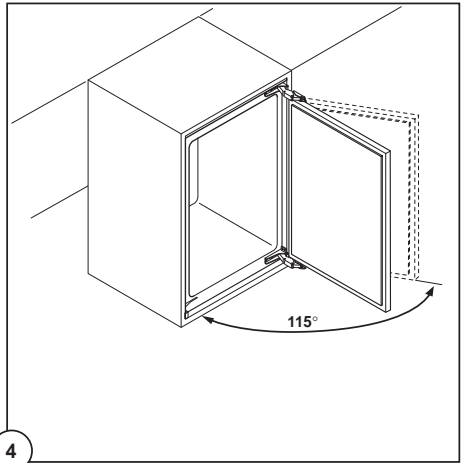
6. The rear feet are adjusted by turning the screw in the front kick plate to the left or right.

7. If necessary, pads are supplied for the rear feet to make sliding the appliance in and out of the recess easier. To fit the pads, press them onto the rear feet. If required, the dimensions of these pads can be reduced by breaking them where marked.



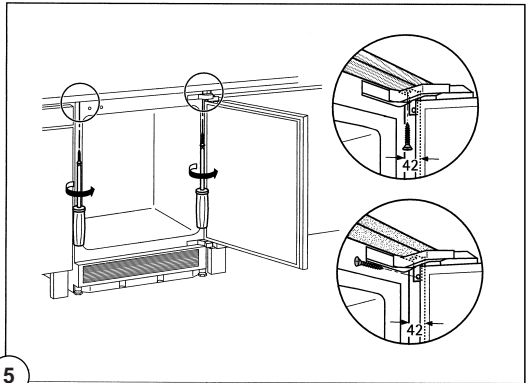
N.B. The joint cover (B) is to be assembled after having installed the appliance in the recess.





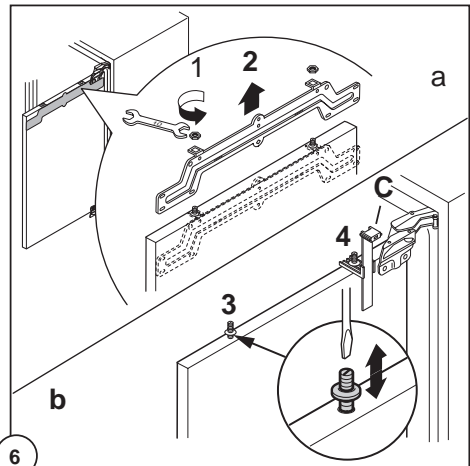
4

8. Push the appliance into place and retain the cabinet with screws through the securing brackets into the worktop or adjacent woodwork as necessary.

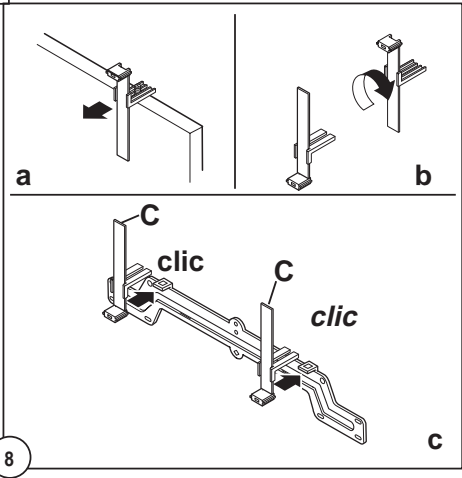
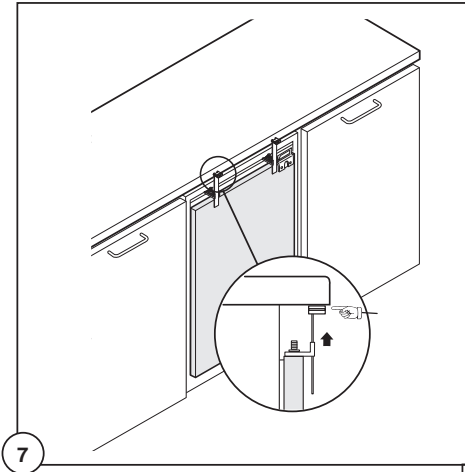


5

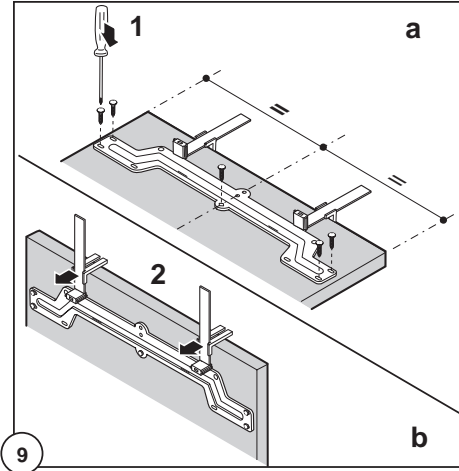
9. To mount the furniture door proceed as shown in the figures:



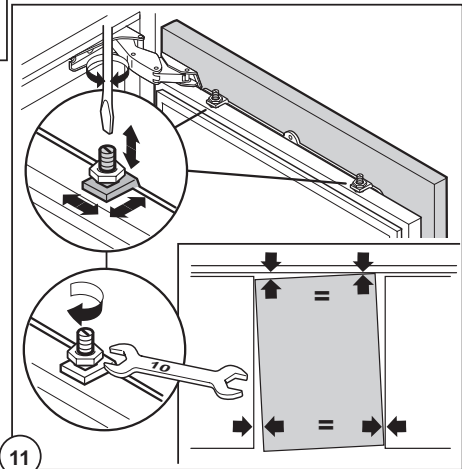
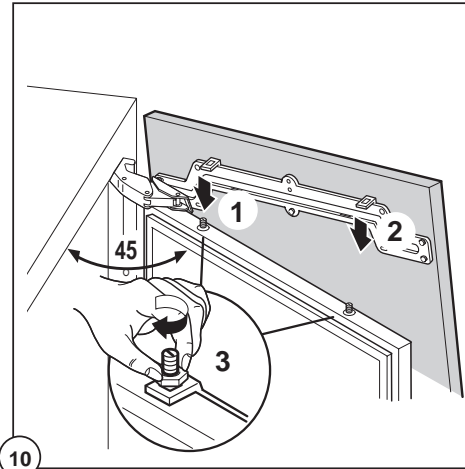
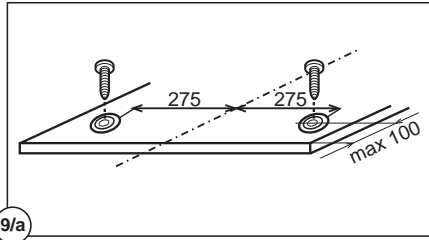
6

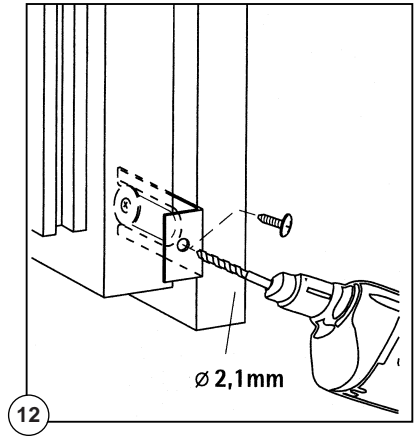


Upper part of kitchen furniture panel

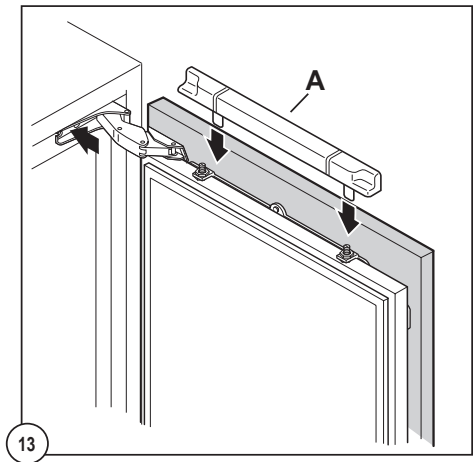


Lower part of kitchen furniture panel





10. Refit the covering strip.

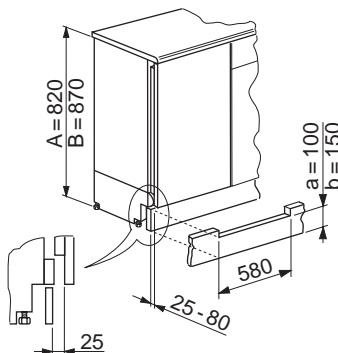


Fitting the plinth

Important!

For the efficient operation of the appliance, it is important that the original ventilation grid is used.

- For an opening height dimension $A=820$ mm and a plinth height dimension $a=100$ mm, the plinth may be fitted without adjustments. The same applies to an opening height dimension $B=870$ mm and a plinth height dimension $b=150$ mm.
- For plinth heights greater than $a=100$ mm, $b=150$ mm, a cut should be made in the plinth, 580 mm wide, in the centre of the appliance position, leaving a remaining height of $a=100$ mm, $b=150$ mm.
- Attach plinth to the kitchen units.



Important!

The plinth must be positioned at a minimum distance of 25 mm from the door.

Please check whether, after installing your appliance and especially after reversing the door, the door seal seals right round. A badly fitting door seal may lead to heavy frosting and result in a higher power consumption (see also "What to do if ...").

Power supply

A correctly installed, earthed socket is required for the electrical supply. The supply must have a fuse rating of at least 10 Amps. If the socket is not accessible once the appliance is built in, the electrical installation must include suitable means of isolating the appliance from the mains (e.g. a fused spur).



Before initial start-up, refer to the appliance rating plate to ascertain if supply voltage and current values correspond with those of the mains at the installation location.

e.g.: AC 220 ... 240 V 50 Hz or
220 ... 240 V ~50 Hz

(i.e. 220 to 240 volts alternating current, 50 Hertz)

The rating plate is inside the appliance on the left.

The mains cable may only be changed by a qualified electrician or competent person. If your appliance needs repairing, please contact your local AEG Service Force Centre.

Electrical Connection

Any electrical work required to install this appliance should be carried out by a qualified electrician or competent person.



WARNING – THIS APPLIANCE MUST BE EARTHED

The manufacturer declines any liability should these safety measures not be observed.

Before switching on, make sure the electricity supply voltage is the same as that indicated on the appliance rating plate. The rating plate is inside, on the left.

The appliance is supplied with a 13 amp plug fitted. In the event of having to change the fuse in the plug supplied, a 13 amp ASTA approved (BS 1362) fuse must be used.

Important

The wires in the mains lead are coloured in accordance with the following code:

Green and Yellow	Earth
Blue	Neutral
Brown	Live

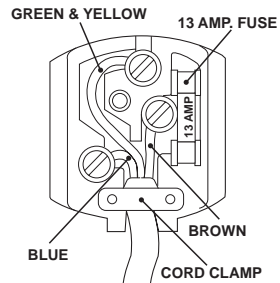
As the colours of the wires in the mains lead

of this appliance may not correspond with the coloured markings identifying the terminals in your plug, proceed as follows:

1. The wire coloured green and yellow must be connected to the terminal marked with the letter "E" or by the earth symbol \oplus or coloured green and yellow.
2. The wire coloured blue must be connected to the terminal marked "N" or coloured black.
3. The wire coloured brown must be connected to the terminal marked "L" or coloured red.
4. Upon completion there must be no cut, or stray strands of wire present and the cord clamp must be secure over the outer sheath.

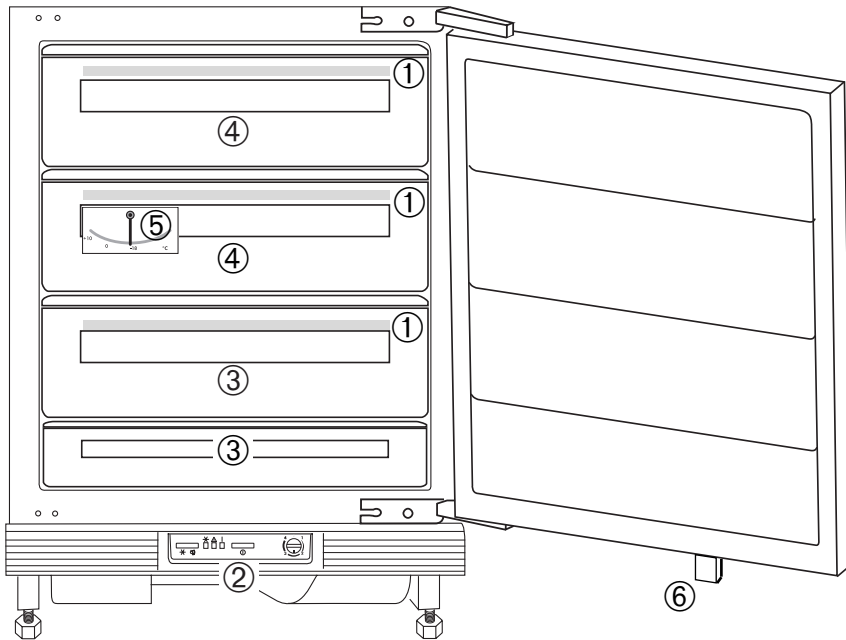


Warning! A cut-off plug inserted into a 13 amp socket is a serious safety (shock) hazard. Ensure that the cut-off plug is disposed of safely.



Description of the appliance

View of the appliance



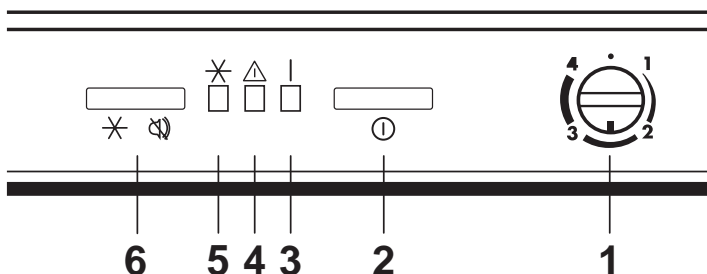
- 1 Freezer calendar
- 2 Control panel
- 3 Drawer (only for storage)
- 4 Drawer (for storing frozen food and freezing fresh produce)
- 5 Temperature display
- 6 Magnet holder for door alarm

Prior to Initial Start-Up

1. Please clean the appliance interior and all accessories prior to initial start-up (see section: "Cleaning and Care").
2. Remove the ice packs from the appliance.
3. Only put the ice packs to freeze in the top drawer after the optimum storage temperature of $-18\text{ }^{\circ}\text{C}$ has been reached.
4. Re-freeze thawed ice packs in the same way, e. g. after cleaning the appliance.

Operating and indicator panel

Important! Only use the appliance when built-in!



- 1 Thermostat control knob
- 2 ON/OFF switch
- 3 Pilot light (green)
- 4 Warning light (red)
- 5 Fast freeze light (yellow)
- 6 Fast freeze button and used to switch off the warning tone

The appliance can be switched ON or OFF by pressing the **ON/OFF switch (2)**. When the **green pilot light (3)** is illuminated this shows that the appliance is on.

A coin is needed to turn the **thermostat control knob (1)**. This makes it more difficult to change the temperature setting accidentally (child protection).

The **green pilot light (3)**, comes on when the appliance is switched on and the mains voltage is available. In this setting, the refrigerating unit operates automatically.

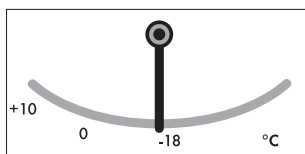
The **thermostat control knob (1)** can be used for variable setting of the storage temperature for your frozen food.

The optimum storage conditions occur at -18°C and can be checked at the **thermometer (fig.)**.


The **fast-freeze button (6)** with its **yellow pilot light (5)**. The yellow pilot light comes on when the switch (6) has been operated. The refrigerating unit then operates continuously.

The **red temperature warning light (4)** comes on when:

- the appliance has been started up but the storage temperature has not yet been reached;



- the minimum storage temperature is no longer being maintained (fault);
- excessive amounts of fresh food are placed inside; or
- if the appliance door is open for too long.

-  1. Turn the thermostat control knob to the desired setting with the aid of a coin.
2. The compressor starts and then runs automatically. The green pilot light illuminates.

Important! Wait until the freezer compartment has reached a temperature of -18°C , or the red warning light has gone out, before storing frozen food.

Warning system

The warning system comprises of an optical warning light (red) and an acoustic warning tone. The red warning light and the warning tone signal an alarm

- if the appliance door is left open too long;
- if the temperature in the freezer compartment is too warm.

"Open Door" warning

The warning tone sounds if the door is left open for more than 60 seconds.


You can switch off the warning tone by closing the door.

Temperature Warning

The red warning light illuminates and the warning tone sounds if the temperature in the freezer compartment is warmer than -12°C .


An increase in the temperature in the freezer compartment may be caused by

- frequent or extended opening of the door;
- storing large quantities of warm food;
- a high ambient temperature;
- a malfunction in the cooling system.

-  1. Switch off the warning tone by pressing the fast freeze button. The yellow fast freeze light illuminates. The red warning light remains illuminated until the required temperature has been reached again.
2. After the storage temperature has been reached, press the fast freeze button again to switch off the fast freeze function. The yellow light goes out.

Note: when the appliance is switched on for the first time, the warning light and the warning tone signal an alarm because the necessary storage temperature in the freezer compartment has not yet been reached.

Starting up and temperature regulation

-  1. Turn the thermostat control knob (1) in the direction of "1".
The green light (3) and the red light (4) come on, the audible warning sounds (if fitted), and the refrigeration motor starts up.
2. Additionally operate the fast-freeze switch (6).
The yellow pilot light (5) comes on, the audible warning switches off, and the freezer motor runs continuously.
3. Only when the red light (4) has gone out should you reset the fast-freeze switch (6) the yellow light (5) goes out and the audible warning is activated again.

The temperature regulator (1) can be used to set the required storage temperature, -18°C or colder.

Setting "1" means:

highest, warmest internal temperature

Setting "4" means:

lowest, coldest internal temperature

Recommended regulator setting:

1.5 to 2.

Important: Regularly check on the red temperature pilot light (4) and the thermometer that the required storage temperature is being maintained.

Ice packs

There are two ice packs in one drawer of the freezer.

Refer to the section "Prior to Initial Start-Up" concerning freezing of the ice packs.




In the event of a power failure or malfunction, the ice packs will lengthen the amount of time it takes for the frozen food to defrost by several hours.


The ice packs can only fulfil this task if they are placed in the uppermost drawer, at the front, above the frozen food.

You can use the ice packs for cooling cold bags.

Switching off the appliance

 To switch off the appliance, turn the thermostat control knob to position "0".

If the appliance is not going to be used for an extended period:

-  1. Remove all deep-frozen packages as well as ice-trays.
2. Switch off the appliance by turning the temperature regulator to position "0".
 3. Remove the mains plug or switch off or disconnect from the electricity supply.
 4. Defrost freezer and clean thoroughly (see section: "Defrosting and Cleaning").
 5. Leave the door open to avoid the build up of odours.


Freezing and storing frozen food

You can use your freezer for freezing fresh food yourself.

Important!

- The temperature in the freezer compartment must be -18°C or colder before freezing food.
- Please observe the freezing capacity given on the rating plate. The freezing capacity is the maximum quantity of fresh food that can be frozen within a period of 24 hours. If you wish to freeze food several days in a row, please observe a maximum capacity of only 2/3 to 3/4 of that on the rating plate. The quality of the food is best preserved when it is frozen right through to the core as quickly as possible.
- Allow warm food to cool down before freezing. The warmth will cause increased ice formation and increase the power consumption.
- Please note the maximum storage times specified by the manufacturer.
- Thawed foods which have not been processed further (cooked into meals) may not under any circumstances be frozen a second time.
- Containers with flammable gases or liquids can leak at low temperatures. There is a risk of an explosion! Do not store any containers with flammable materials such as, for example, spray cans, fire extinguisher refill cartridges etc in the refrigerator/freezer.
- Bottles and cans must not be placed in the freezer. They can burst when the contents freeze, high carbonate content drinks can even

explode! Never store lemonade, juices, beer, wine, sparkling wine etc. in the freezer.

-  1. Press the fast freeze button for the freezing of fresh food. The yellow light illuminates.

To utilise the maximum rated freezing capacity, switch on the fast freeze switch 24 hours before freezing is due to start (the yellow light illuminates). For smaller amounts the fast freeze switch should be switched on 4 - 6 hours in advance.

2. All foods must be packed air tight prior to freezing, so that they do not dry out or lose their flavour, and so that no flavour contamination of other frozen goods occurs.

Caution! Do not touch frozen food with wet hands. Your hands could stick to the food and cause skin abrasions.

3. Place the packed food in the drawers. Place food to be frozen in the appliance's two top drawers (4) equipped with its own refrigerated shelves. Unfrozen food must not touch items already frozen, otherwise the frozen food could begin to defrost. Freezer drawers (3) should only be used for storage of frozen food.



Place frozen foods in the drawers sorted by type, as far as possible.

4. Once the required storage temperate has been reached, press the fast freeze button again. The yellow light goes out.

Tips:

- The following are suited for the packaging of frozen goods:
 - freezer bags and polyethylene wraps;
 - special containers for frozen goods;
 - extra-thick aluminium foil.
- The following are suitable for sealing bags and wrap: plastic clips, rubber bands or tape.
- Smooth the air out of the bag before sealing; air makes it easier for the frozen food to dry out.
- Make flat packages, because these freeze more quickly.
- Do not fill containers for frozen goods to the brim with liquid or paste-like goods, because liquids expand during freezing.

Storage Goods Symbols/Freezing Calendar

- The symbols on the drawers show different types of frozen goods.
- The numbers indicate storage times in months for the appropriate types of frozen goods. Whether the upper or lower value of the indicated storage time is valid depends on the quality of the foods and pre-treating before freezing. The lower value applies to foods with high fat content.



Preparation of Ice Cubes

1. Fill the ice cube tray 3/4 full with cold water, place it in the freezer compartment and leave to freeze.
2. To loosen the frozen cubes, either bend the ice cube tray or hold it under running water for a few seconds.

Important! Never try to free an ice tray that is frozen to the freezer compartment using pointed or sharp edged objects. Use the ice scraper supplied.

Defrosting

During use and when the door is opened, moisture is deposited as frost inside the appliance, particularly on the evaporator melts. This frost must be removed from time to time using the soft plastic scraper supplied. Under no circumstances use hard or pointed objects for this purpose.

The freezer should always be defrosted when the layer of frost has reached a thickness of approx. 4 millimetres. Defrost should be carried out once a year regardless of the amount of frost that has built up. A good time for defrosting is when the appliance is empty or contains only little food.

1. Each temperature rise reduces the keeping qualities of your frozen food. Around 12 hours before defrosting your freezer, switch over to freeze to build up a low temperature reserve in the frozen food.



Warning!

- Do not use electrical heating appliances or any other mechanical or artificial devices to speed up the defrosting process.
- Do not use defrosting sprays, they can be hazardous to your health and/or contain substances that damage plastics.

Caution! Do not touch frozen food with wet hands. Your hands could stick to the food and can cause skin abrasions.



1. Remove frozen food, wrap it in several layers of newspaper and store it, covered, in a cool place.
2. Switch off the appliance and unplug it, or pull the fuse or switch off the circuit breaker.
3. Remove all drawers except the bottom one. The bottom drawer serves as a practical container to collect the water from the thawing ice.
Tip: To speed up the defrosting process, place a pan with warm water in the appliance and close the door. Remove pieces of ice that have fallen before they completely defrost.
4. Remove the bottom drawer and dry the interior of the bottom compartment thoroughly.
5. After defrosting, thoroughly clean the freezer compartment and interior fittings (see "Cleaning and Care" section).

Cleaning and Care

For hygienic reasons the appliance interior, including interior accessories, should be cleaned regularly.



Warning!

- The appliance must not be connected to the mains during cleaning. Danger of electrical shock! Before cleaning switch the appliance off and remove the plug from the mains, or switch off or turn out the circuit breaker or fuse.
- Never clean the appliance with a steam cleaner. Moisture could accumulate in electrical components and there is a danger of an electric shock. Hot vapours can lead to the damage of plastic parts.
- The appliance must be dry before it is placed back into service.

Important!

- Ethereal oils and organic solvents can attack plastic parts, e.g.
 - lemon juice or the juice from orange peel;
 - butyric acid;

– cleansers which contain acetic acid.

Do not allow such substances to come into contact with appliance parts.

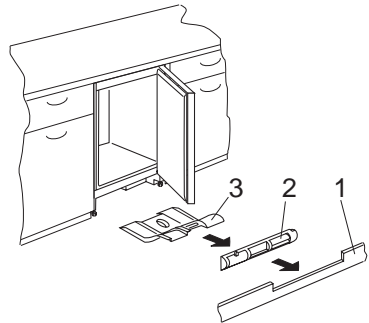
- Do not use any abrasive cleansers.

- ➡ 1. Remove frozen food and wrap it in several layers of newspaper. Store it in a cool place, well covered.
2. Defrost the appliance prior to cleaning (see "Defrosting" section).
3. Switch off the appliance and unplug it.
4. Clean the appliance and the interior accessories with a cloth and lukewarm water.
5. After cleaning wipe with fresh water and rub dry.
6. After everything is dry, switch to fast freeze. After running the appliance for two or three hours, it is ready again for storing frozen food.



An accumulation of dust will affect the performance of the appliance and cause excessive electricity consumption. The structure of the appliance permits you to clean the rear zone close to the wall, using a vacuum cleaner.

- ➡ 1. Remove the plinth (1), then the ventilation grid (2);
2. Carefully pull the air deflector out (3).



Magnetic door seal

After opening and closing the door of your freezer you will not be able to open the door again immediately. This is because a vacuum will have developed inside, keeping the door closed until the pressures inside and outside the door have equalised. After a few minutes you can easily reopen the door.



Energy Saving Tips

- Do not install the appliance near boilers, radiators or other sources of heat. High ambient temperatures cause longer, more frequent operation of the compressor.
- Ensure sufficient air circulation and exhaust at the appliance base and at the back wall of the appliance. Never cover air vent openings.
- Do not place warm foods into the appliance. Allow warm foods to cool first.
- Do not leave the door open any longer than necessary.
- Do not set temperature any colder than necessary.
- Check the storage temperature in the freezer on the thermometer.
- Put frozen food in the fridge to defrost. The cold in the frozen food will then be used to cool the fridge.

What to do if ...

Correcting Malfunctions

A malfunction may be caused by only a minor fault that you can rectify yourself using the following instructions. Do not perform any other work on the appliance if the following information does not provide assistance in your specific case.



Important! Repairs to refrigerators/freezers may only be performed by competent service engineers. Improper repairs can give rise to significant hazards for the user. If your appliance needs repairing, please contact your specialist dealer or your local Service Force Centre.



If the freezer system has stopped working and the freezer is full, the reserve in the cold accumulator and in the deep frozen food itself will give the food a hold over time of about 29 hours. If the freezer is without a cold accumulator the hold over time will be reduced to about 20 hours.

Symptoms	Possible Cause	Remedy
Appliance does not work, no pilot light is illuminated.	Appliance is not switched on.	Switch on the appliance.
	Mains plug is not plugged in or is loose.	Insert mains plug.
	Fuse has blown or is defective	Check fuse, replace if necessary.
	Socket is defective.	Mains malfunctions are to be corrected by an electrician.
Green light does not light up, yellow light lights up when the fast freeze function is activated.	Green light faulty.	Please inform your local Service Force Centre.
Yellow light does not light up, when the fast freeze function is activated, appliance is on.	Yellow light faulty.	Please inform your local Service Force Centre.
The freezer temperature is not sufficient, red light illuminates, temperature alarm signal sounds.	Temperature is not properly adjusted.	Please look in the "Initial Start Up" section.
	Door was open for an extended period.	Do not leave the door open any longer than necessary. Press the fast freeze switch.
	A large quantity of warm food placed in the appliance within the last 24 hours.	Press the fast freeze switch.
	The appliance is near a heat source.	Please look in the "Installation Location" section.
Heavy build up of frost, possibly also on the door seal.	Door seal is not airtight (possibly after reversing the door).	Carefully warm the leaking sections of the door seal with a hair dryer (on a cool setting). At the same time shape the warmed door seal by hand such that it sits correctly.

Symptoms	Possible Cause	Remedy
The compressor runs continuously	Temperature is set too cold.	Turn the thermostat control knob to a warmer setting temporarily.
The compressor does not start immediately after changing the temperature setting.	This is normal, no error has occurred.	The compressor starts after a period of time.

Important: regularly check on the red temperature pilot light and thermometer to establish that the storage temperature is being maintained.

Noises during Operation

The following noises are characteristic of refrigeration appliances:

- **Clicks**
Whenever the compressor switches on or off, a click can be heard.
- **Humming**
As soon as the compressor is in operation, you can hear it humming.
- **Bubbling/Splashing**
When refrigerant flows into thin tubes, you can hear bubbling or splashing noises. Even after the compressor has been switched off, this noise can be heard for a short time.

Regulations, Standards, Guidelines

This appliance was designed for household use and was manufactured in accordance with the appropriate standards. The necessary measures in accordance with appliance safety legislation regulations (GSG), accident prevention regulations for refrigeration appliances (VBG 20) and the regulations of the German Society of Electrical Engineers (VDE) were observed in the manufacture of this appliance. The refrigerant circuit has been checked for leaks.

CE This appliance is in accordance with the following EU guidelines:

- 73/23/EEG dated 19 February 1973 - low voltage guidelines.
- 89/336/EEG dated 3 May 1989
(including guideline change notice 92/31/EEG) - EMV guideline

Technical terminology

- **Refrigerant**

Liquids that can be used to generate a cooling effect are known as refrigerants. They have a relatively low boiling-point, indeed so low, that the warmth from the food stored in the fridge or freezer can cause the refrigerant to boil and vaporise.

- **Refrigerant Circuit**

Closed circulation system that contains the refrigerant. The refrigerant circuit comprises primarily of an evaporator, a compressor, a condenser and pipe work.

- **Evaporator**

The refrigerant is evaporated in the evaporator. Similar to all other liquids, refrigerant requires heat to evaporate. This heat is removed from the interior of the appliance, as a result the interior is cooled. The evaporator is therefore located inside the appliance or placed in foam immediately behind the inner wall and thus not visible.

- **Compressor**

The compressor looks like a small drum. It is driven by a built-in electric motor and is mounted on the base of the appliance at the rear. The task of the compressor is to draw in vaporised refrigerant from the evaporator, to compress it, and to pass it on to the condenser.

- **Condenser**

The condenser normally has the form of a grid. The refrigerant compressed in the compressor is liquefied in the condenser. During this process, heat is released to the surrounding air at the surface of the condenser. The condenser is mounted on the base of the appliance.

 **From the Electrolux Group.** *The world's No.1 choice.*

The Electrolux Group is the world's largest producer of powered appliances for kitchen, cleaning and outdoor use. More than 55 million Electrolux Group products (such as refrigerators, cookers, washing machines, vacuum cleaners, chain saws and lawn mowers) are sold each year to a value of approx. USD 14 billion in more than 150 countries around the world.

AEG Hausgeräte GmbH
Postfach 1036
D-90327 Nürnberg

<http://www.aeg.hausgeraete.de>

© Electrolux plc 2004

2222 740-27 -00- 0304

Subject to change without notice

This file has been downloaded from:

www.UsersManualGuide.com

User Manual and User Guide for many equipments like mobile phones, photo cameras, mother board, monitors, software, tv, dvd, and othes..

Manual users, user manuals, user guide manual, owners manual, instruction manual, manual owner, manual owner's, manual guide, manual operation, operating manual, user's manual, operating instructions, manual operators, manual operator, manual product, documentation manual, user maintenance, brochure, user reference, pdf manual